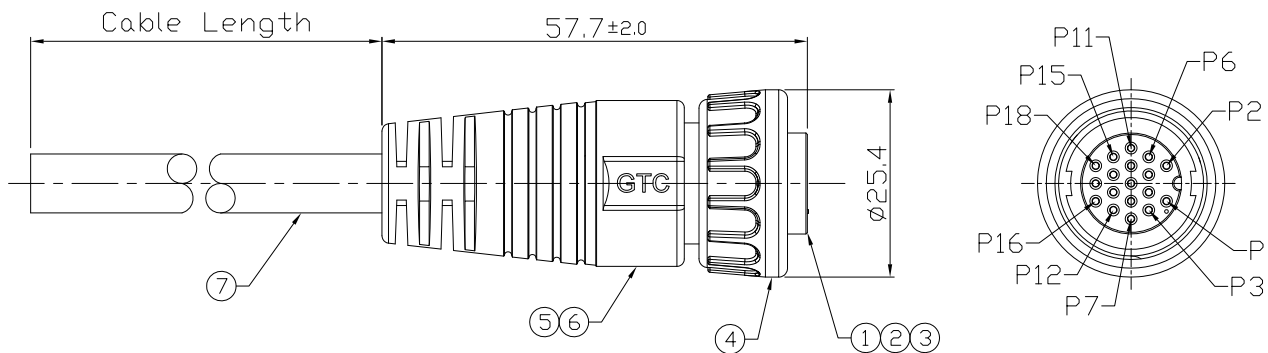


Notes: (Unless Otherwise Specified)
 1. Waterproof Rate: IP67.
 2. RoHS Compliant.

REV	ECN#	DESCRIPTION OF REVISION	DRAW BY DATE	CHECK BY DATE	APPROVE BY DATE
A0		Mass Production	Joyce 08/17/12	Lucas 08/17/12	Ray 08/17/12
A1	ECN-150619	Modify Drawing Number GT153324-01181-XX -> GT153324-21181-XX	Joyce 06/30/15	Lucas 06/30/15	Ray 06/30/15



1	Brown
2	Blue
3	White
4	Green
5	Yellow
6	Gray
7	Pink
8	Red
9	Black
10	Orange
11	Violet
12	Light Green
13	Black/White
14	Brown/White
15	Red/White
16	Orange/White
17	Green/White
18	Blue/White
	Drain

GT153324-21181-10	10000 mm	±500
GT153324-21181-09	9000 mm	±450
GT153324-21181-08	8000 mm	±400
GT153324-21181-07	7000 mm	±150
GT153324-21181-06	6000 mm	±150
GT153324-21181-05	5000 mm	±150
GT153324-21181-04	4000 mm	±150
GT153324-21181-03	3000 mm	±150
GT153324-21181-02	2000 mm	±100
GT153324-21181-01	1000 mm	±50
GT153324-21181-29	900 mm	±40
GT153324-21181-28	800 mm	±40
GT153324-21181-27	700 mm	±40
GT153324-21181-26	600 mm	±40
GT153324-21181-25	500 mm	±40
GT153324-21181-24	400 mm	±20
GT153324-21181-23	300 mm	±20
GT153324-21181-22	200 mm	±10

7	Cable	UL2464 24AWG*18C+D+Al/My Color: Black, OD=8.0mm	1
6	Over Mold	PVC Color: Black	1
5	Inner Mold	Thermoplastic Color: White	1
4	Screw Nut	Thermoplastic Color: Black	1
3	Contacts	Copper Alloy Finish: Au Plated	18
2	O-Ring	Silicone Color: Red	1
1	Housing	Thermoplastic Color: Black	1
Item	Part Name	Material / Finish	Q'ty

GTC
 DOC.CENTER.ISSUE
 JUN.30.2015
 ONLY FOR
 RELEASE

Wiring Diagram

GT Contact CO.,LTD

NOTICE OF PROPRIETARY PROPERTY:
 THE INFORMATION CONTAINED HEREIN IS THE PROPRIETARY PROPERTY OF GT Contact CO.,LTD THE POSSESSOR AGREES TO THE FOLLOWING:
 (a) TO MAINTAIN THIS DOCUMENT IN CONFIDENCE
 (b) NOT TO REPRODUCE OR COPY IT
 (c) NOT TO REVEAL OR PUBLISH IT IN WHOLE OR PART
 (d) ALL RIGHTS RESERVED

TITLE C3 2A 18P Cable End Female Screw						DRAWING NUMBER GT153324-21181-XX			REV. A1	
	B	1:1	Joyce 08/17/12	Lucas 08/17/12	Ray 08/17/12	X.X ± 0.5 X.XX ± 0.2	X.XXX ± 0.05 ANGLES ± 1°	mm	1/1	
THIRD ANGLE PROJECTION	SIZE	SCALE	DRAW / DATE	CHECK / DATE	APPROVE / DATE	TOLERANCES		UNIT	SHEET	