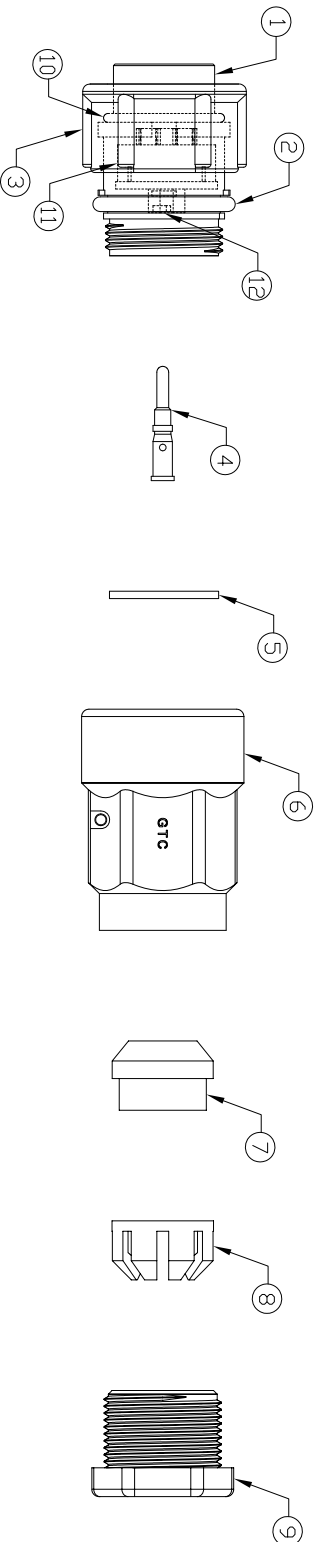
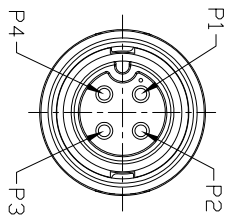


- Notes: (Unless Otherwise Specified)
1. Waterproof Rate: IP67.
 2. Recommend Cable Diameter: 5.0 to 6.0 mm
 3. Recommend Cover Torque: 6.0 to 7.0 Kg-cm.
 4. Recommend Gland Nut Torque: 9.0 to 10.0 Kg-cm.
 5. RoHS Compliant.

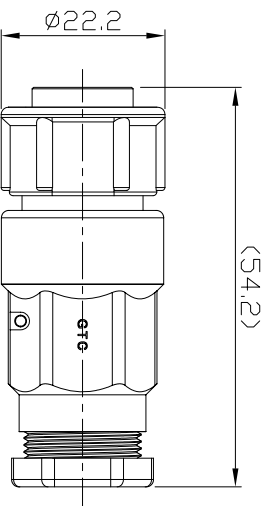
REV	ECN#	DESCRIPTION OF REVISION	DRAW BY DATE	CHECK BY DATE	APPROVE BY DATE
A0		Mass Production	Joyce 05/15/14	Lucas 05/15/14	Roy 05/15/14



GTC
DOC.CENTER.ISSUE
MAY.16.2014
ONLY FOR
RELEASE



Pin Assignment



Item	Part Name	Material / Finish	Qty
12	Gland Pin	Thermoplastic Color: Black	1
11	Base	Thermoplastic Color: Black	1
10	D-Ring	Silicone Color: Red	1
9	Gland Nut	Thermoplastic Color: Black	1
8	Cage	Thermoplastic Color: White	1
7	Gland	Silicone Color: Green	1
6	Cover	Thermoplastic Color: Black	1
5	Gasket	Silicone Color: Black	1
4	Contacts	Copper Alloy Finish: Au Plated	4
3	Lock Nut	Thermoplastic Color: Black	1
2	D-Ring	Silicone Color: Red	1
1	Housing	Thermoplastic Color: Black	1

C3 10A 4P Field Installable Cable End Male Crimp Lock

TITLE	DRAWING NUMBER	REV.
C3 10A 4P Field Installable Cable End Male Crimp Lock	GT153274-23040	A0

DD NOT SCALE DRAWINGS	SIZE	SCALE	DRAW / DATE	CHECK / DATE	APPROVE / DATE	TOLERANCES	UNIT	SHEET
THIRD ANGLE PROJECTION	B	1:1	Joyce 05/15/14	Lucas 05/15/14	Roy 05/15/14	XX ± 0.5 XXX ± 0.2 XXXX ANGLES ± 1°	mm	1/1

GT Contact CD, LTD

NOTICE OF PROPRIETARY PROPERTY

THE INFORMATION CONTAINED HEREIN IS THE PROPRIETARY PROPERTY OF GT Contact CD, LTD. THE POSSESSOR AGREES TO MAINTAIN THIS DOCUMENT IN CONFIDENCE AND NOT TO REPRODUCE OR PUBLISH IT IN WHOLE OR PART (S) ALL RIGHTS RESERVED