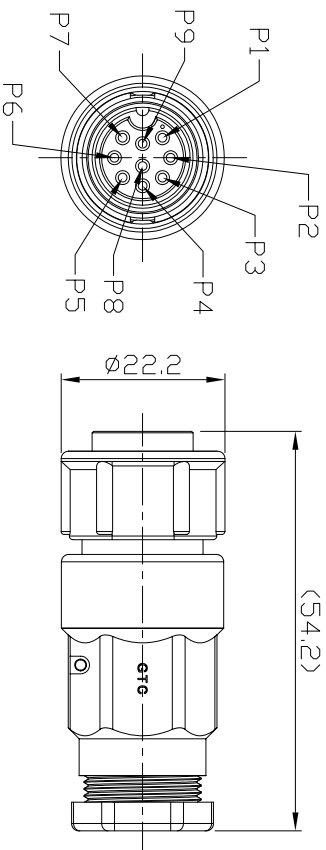
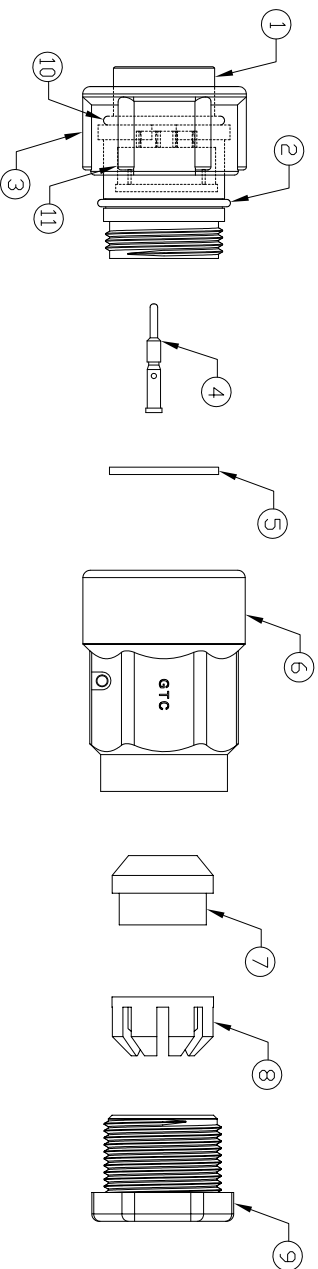


- Notes: (Unless Otherwise Specified)
1. Waterproof Rate: IP67.
 2. Recommend Cable Diameter: 5.0 to 6.0 mm
 3. Recommend Cover Torque: 6.0 to 7.0 Kg-cm.
 4. Recommend Gland Nut Torque: 9.0 to 10.0 Kg-cm.
 5. RoHS Compliant.

REV	ECN#	DESCRIPTION OF REVISION	DRAW BY DATE	CHECK BY DATE	APPROVE BY DATE
A0		Mass Production	Joyce 07/17/12	Lucas 07/17/12	Roy 07/17/12



Pin Assignment

Item	Part Name	Material / Finish	Qty
11	Base	Thermoplastic Color: Black	1
10	D-Ring	Silicone Color: Red	1
9	Gland Nut	Thermoplastic Color: Black	1
8	Cage	Thermoplastic Color: White	1
7	Gland	Silicone Color: Green	1
6	Cover	Thermoplastic Color: Black	1
5	Gasket	Silicone Color: Black	1
4	Contacts	Copper Alloy Finish: Au Plated	9
3	Lock Nut	Thermoplastic Color: Black	1
2	D-Ring	Silicone Color: Red	1
1	Housing	Thermoplastic Color: Black	1

TITLE
C3 5A 9P Field Installable Cable End Male Crimp Lock

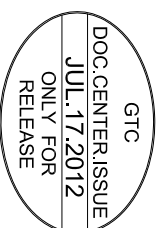
DRAWING NUMBER
GT153274-22090

REV.
A0

DD NOT SCALE DRAWINGS	SIZE	SCALE	DRAW / DATE	CHECK / DATE	APPROVE / DATE	TOLERANCES	UNIT	SHEET
	B	1:1	Joyce 07/17/12	Lucas 07/17/12	Roy 07/17/12	XX ± 0.5 ANGLES ± 1° XXX ± 0.2	mm	1/1

NOTICE OF PROPRIETARY PROPERTY:
THE INFORMATION CONTAINED HEREIN IS THE PROPRIETARY PROPERTY OF GT Contact CO.,LTD THE POSSESSOR AGREES TO MAINTAIN THIS DOCUMENT IN CONFIDENCE AND NOT TO REPRODUCE OR DISSEMINATE IT IN WHOLE OR PART (W) ALL RIGHTS RESERVED

GT Contact CO.,LTD



A

B

C

D

A

B

C

D

1

2

3

4

1

2

3

4