

1

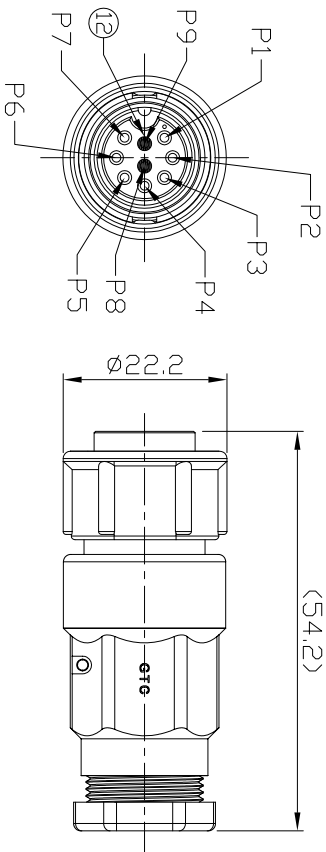
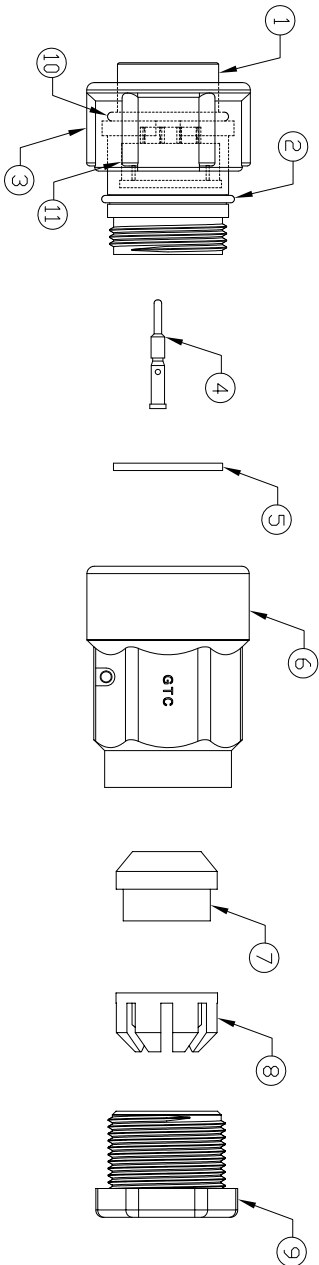
2

3

4

- Notes: (Unless Otherwise Specified)
1. Waterproof Rate: IP67.
  2. Recommend Cable Diameter: 5.0 to 6.0 mm
  3. Recommend Cover Torque: 6.0 to 7.0 Kg-cm.
  4. Recommend Gland Nut Torque: 9.0 to 10.0 Kg-cm.
  5. ROHS Compliant.

REV	ECN#	DESCRIPTION OF REVISION	DRAW BY DATE	CHECK BY DATE	APPROVE BY DATE
A0		Mass Production	Joyce 12/02/13	Lucas 12/02/13	Roy 12/02/13



Item	Part Name	Material / Finish	Qty
12	Gland Pin	Thermoplastic Color: Black	2
11	Base	Thermoplastic Color: Black	1
10	D-Ring	Silicone Color: Red	1
9	Gland Nut	Thermoplastic Color: Black	1
8	Cage	Thermoplastic Color: White	1
7	Gland	Silicone Color: Green	1
6	Cover	Thermoplastic Color: Black	1
5	Gasket	Silicone Color: Black	1
4	Contacts	Copper Alloy Finish: Au Plated	7
3	Lock Nut	Thermoplastic Color: Black	1
2	D-Ring	Silicone Color: Red	1
1	Housing	Thermoplastic Color: Black	1

Item Part Name Material / Finish Qty

TITLE  
C3 5A 7P Field Installable Cable End Male Crimp Lock

DRAWING NUMBER  
GT153274-22070

REV.  
A0

DD NOT SCALE DRAWINGS	B	1:1	Lucas 06/05/13	Roy 06/05/13	Roy 06/05/13	XXX ± 0.5	XXXX ± 0.05	mm	1/1
THIRD ANGLE PROJECTION	SIZE	SCALE	DRAW / DATE	CHECK / DATE	APPROVE / DATE	TOLERANCES	ANGLES ± 1°	UNIT	SHEET

NOTICE OF PROPRIETARY PROPERTY:  
THE INFORMATION CONTAINED HEREIN IS THE PROPRIETARY PROPERTY OF GT Contact CO.,LTD THE POSSESSOR AGREES TO MAINTAIN THIS DOCUMENT IN CONFIDENCE AND NOT TO REPRODUCE, PUBLISH IT IN WHOLE OR PART (W) ALL RIGHTS RESERVED

GT Contact CO.,LTD

A

A

B

B

C

C

D

D

1

2

3

4