

1

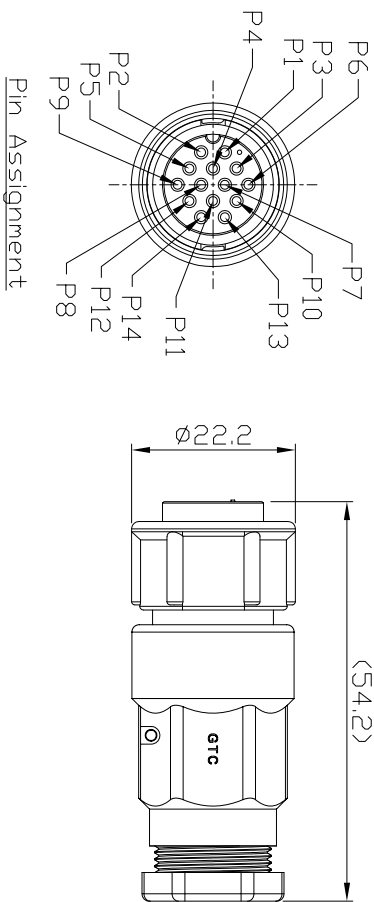
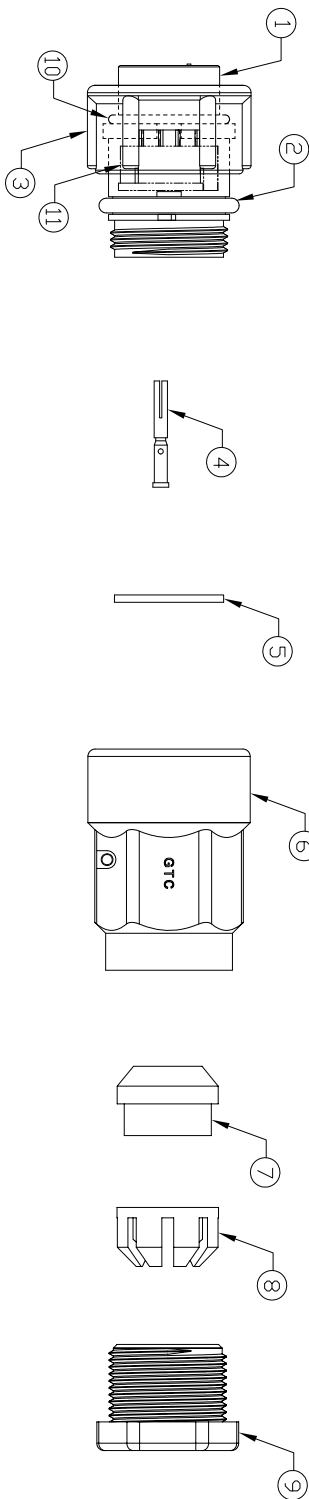
2

3

4

- Notes: (Unless Otherwise Specified)
1. Waterproof Rate: IP67.
 2. Suitable Cable OD=5.0mm To 6.0mm.
 3. Recommend Cover Torque: 6~7 Kgf-cm.
 4. Recommend Gland Nut Torque: 9~10 Kgf-cm.
 5. RoHS Compliant.

REV	ECN#	DESCRIPTION OF REVISION	DRAW BY DATE	CHECK BY DATE	APPROVE BY DATE
A0		Mass Production	Joyce 09/24/12	Lucas 09/24/12	Roy 09/24/12



Pin Assignment

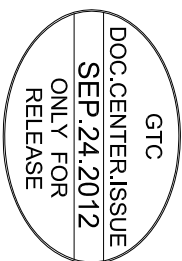
Item	Part Name	Material / Finish	Qty
11	Base	Thermoplastic Color: Black	1
10	D-Ring	Silicone Color: Red	1
9	Gland Nut	Thermoplastic Color: Black	1
8	Cage	Thermoplastic Color: White	1
7	Gland	Silicone Color: Green	1
6	Cover	Thermoplastic Color: Black	1
5	Gasket	Silicone Color: Black	1
4	Contacts	Copper Alloy Finish: Au Plated	14
3	Lock Nut	Thermoplastic Color: Black	1
2	D-Ring	Silicone Color: Red	1
1	Housing	Thermoplastic Color: Black	1

TITLE C3 5A 14P Field Installable Cable End Female Crimp Lock

DRAWING NUMBER GT153264-22140

REV. A0

THIRD ANGLE PROJECTION	SIZE	SCALE	DRAW / DATE	CHECK / DATE	APPROVE / DATE	TOLERANCES	UNIT	SHEET
1	B	1:1	Edwin 03/05/10	Roy 03/05/10	Roy 03/05/10	XX ± 0.5 XXX ANGLES ± 1°	mm	1/1



GT Contact CD,LTID

NOTICE OF PROPRIETARY PROPERTY:
 THE INFORMATION CONTAINED HEREIN IS THE PROPRIETARY PROPERTY OF GT Contact CD,LTID THE POSSESSOR AGREES TO THE FOLLOWING:
 (1) TO MAINTAIN THIS DOCUMENT IN CONFIDENCE
 (2) NOT TO REPRODUCE OR PUBLISH IT IN WHOLE OR PART
 (3) ALL RIGHTS RESERVED

A

A

B

B

C

C

D

D