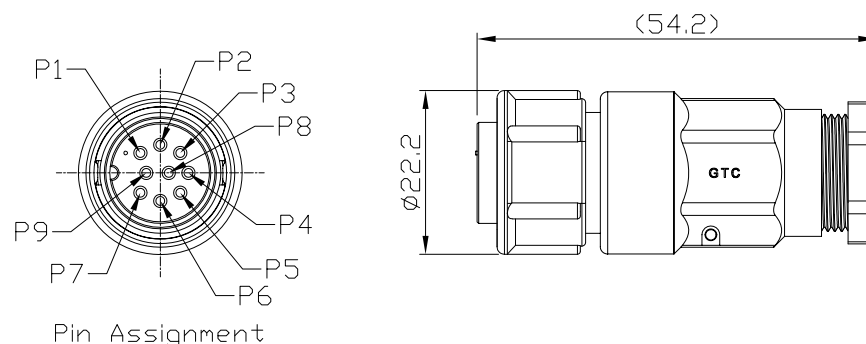
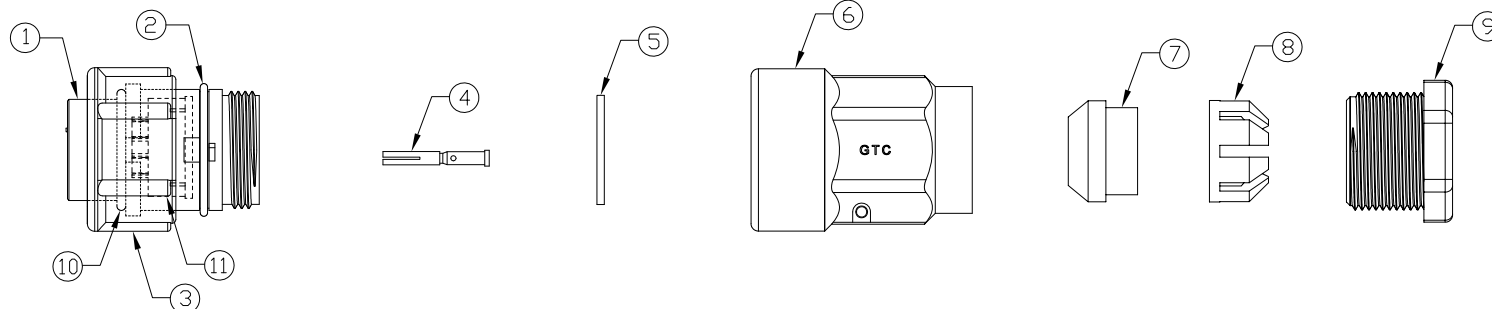


Notes: (Unless Otherwise Specified)

1. Waterproof Rate: IP67.
2. Suitable Cable \varnothing D=5.0mm To 6.0mm. Δ
3. Recommend Cover Torque: 6~7 Kgf-cm.
4. Recommend Gland Nut Torque: 9~10 Kgf-cm.
5. RoHS Compliant.

REV	ECN#	DESCRIPTION OF REVISION	DRAW BY DATE	CHECK BY DATE	APPROVE BY DATE
A1	ECN-181118	Cable Diameter: 5.0mm~7.0mm => 5.0mm~6.0mm	Whitney 11/14/18	Lucas 11/14/18	Ray 11/14/18



GTC
DOC.CENTER.ISSUE
NOV.16.2018
ONLY FOR
RELEASE

11	Base	Thermoplastic Color: Black	1
10	D-Ring	Silicone Color: Red	1
9	Gland Nut	Thermoplastic Color: Black	1
8	Cage	Thermoplastic Color: White	1
7	Gland	Silicone Color: Green	1
6	Cover	Thermoplastic Color: Black	1
5	Gasket	Silicone Color: Black	1
4	Contacts	Copper Alloy Finish: Au Plated	9
3	Lock Nut	Thermoplastic Color: Black	1
2	D-Ring	Silicone Color: Red	1
1	Housing	Thermoplastic Color: Black	1
Item	Part Name	Material / Finish	Q'ty

TITLE						DRAWING NUMBER			REV.
C3 5A 9P Field Installable Cable End Female Lock Crimp						GT153264-22090			A1
	B	1:1	Karen 08/21/08	Robbie 08/21/08	Robbie 08/21/08	X.X ± 0.5 X.XX ± 0.2	X.XXX ± 0.05 ANGLES ± 1°	mm	1/1
THIRD ANGLE PROJECTION	SIZE	SCALE	DRAW / DATE	CHECK / DATE	APPROVE / DATE	TOLERANCES		UNIT	SHEET

GT Contact CO.,LTD

NOTICE OF PROPRIETARY PROPERTY:
THE INFORMATION CONTAINED HEREIN IS THE PROPRIETARY PROPERTY OF GT Contact CO.,LTD THE POSSESSOR AGREES TO THE FOLLOWING:
(i) TO MAINTAIN THIS DOCUMENT IN CONFIDENCE
(ii) NOT TO REPRODUCE OR COPY IT
(iii) NOT TO REVEAL OR PUBLISH IT IN WHOLE OR PART
(iv) ALL RIGHTS RESERVED