

1

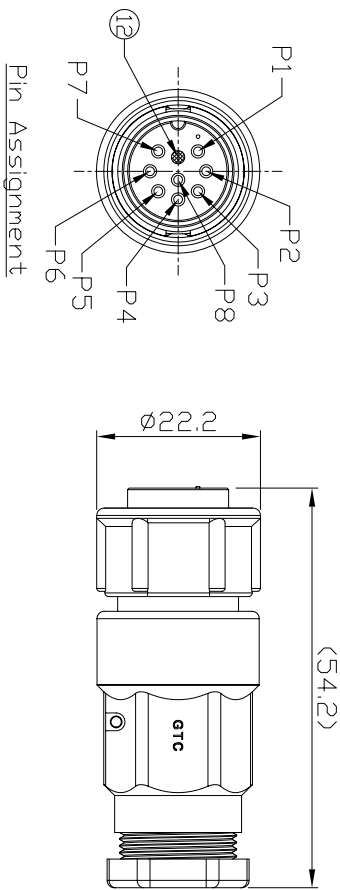
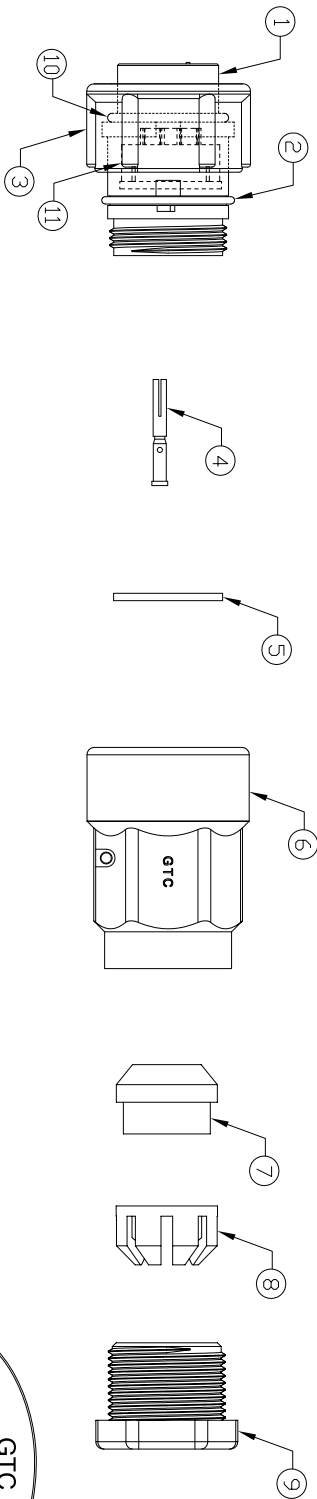
2

3

4

- Notes: (Unless Otherwise Specified)
1. Waterproof Rate: IP67.
 2. Suitable Cable OD=5.0mm To 6.0mm.
 3. Recommend Cover Torque: 6~7 Kgf-cm.
 4. Recommend Gland Nut Torque: 9~10 Kgf-cm.
 5. RoHS Compliant.

REV	ECN#	DESCRIPTION OF REVISION	DRAW BY DATE	CHECK BY DATE	APPROVE BY DATE
01			Joyce 03/21/14	Lucas 03/21/14	Roy 03/21/14



GTC
R&D DEPT. ISSUE
MAR.21.2014
ONLY FOR
RELEASE

Item	Part Name	Material / Finish	Qty
12	Gland Pin	Thermoplastic Color: Black	1
11	Base	Thermoplastic Color: Black	1
10	D-Ring	Silicone Color: Red	1
9	Gland Nut	Thermoplastic Color: Black	1
8	Cage	Thermoplastic Color: White	1
7	Gland	Silicone Color: Green	1
6	Cover	Thermoplastic Color: Black	1
5	Gasket	Silicone Color: Black	1
4	Contacts	Copper Alloy Finish: Au Plated	8
3	Lock Nut	Thermoplastic Color: Black	1
2	D-Ring	Silicone Color: Red	1
1	Housing	Thermoplastic Color: Black	1

TITLE C3 5A 8P Field Installable Cable End Female Crimp Lock

DRAWING NUMBER GT153264-22080 REV. 01

GT Contact CD,LTID

DD NOT SCALE DRAWINGS	SIZE	SCALE	DRAW / DATE	CHECK / DATE	APPROVE / DATE	TOLERANCES	UNIT	SHEET
	B	1:1	Joyce 03/21/14	Lucas 03/21/14	Roy 03/21/14	± 0.5 XXXX ANGLES ± 1°	mm	1/1

NOTICE OF PROPRIETARY PROPERTY:
THE INFORMATION CONTAINED HEREIN IS THE PROPRIETARY PROPERTY OF GT Contact CO.,LTD THE POSSESSOR AGREES TO MAINTAIN THIS INFORMATION IN CONFIDENCE AND NOT TO REPRODUCE OR DISSEMINATE IT IN WHOLE OR PART (S) ALL RIGHTS RESERVED

A

B

C

D

A

B

C

D

1

2

3

4