

1

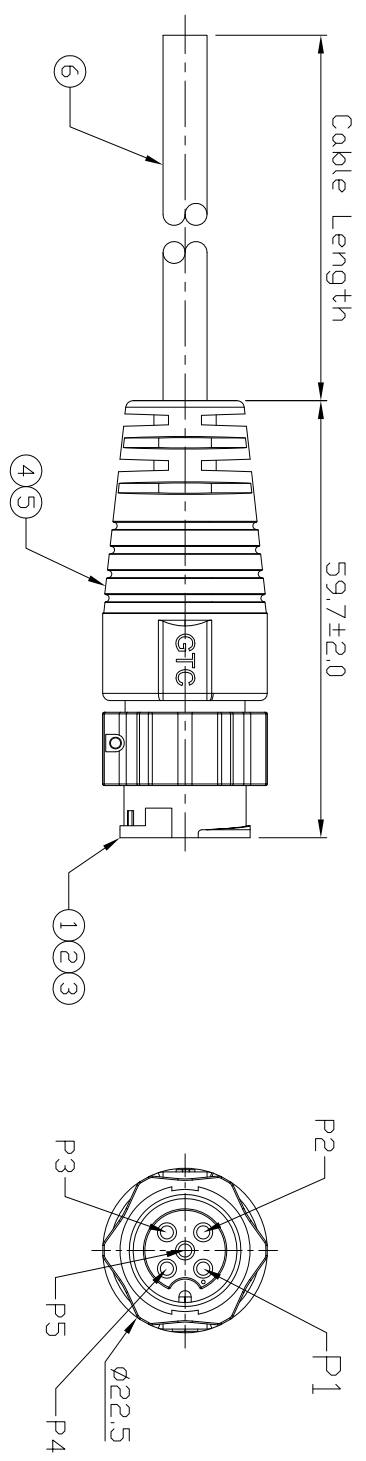
2

3

4

Notes: (Unless Otherwise Specified)
 1. Waterproof Rate : IP67.
 2. RoHS Compliant.

REV	ECN#	DESCRIPTION OF REVISION	DRAW BY DATE	CHECK BY DATE	APPROVE BY DATE
01			Joyce 03/29/12	Lucas 03/29/12	Roy 03/29/12



Item	Part Name	Material / Finish	Qty
1	Housing	Thermoplastic Color: Black	1
2	Contacts	Copper Alloy Finish: Au Plated	5
3	Base	Thermoplastic Color: Black	1
4	Inner Mold	Thermoplastic Color: White or Black	1
5	Diver Mold	PVC Color: Black	1
6	Cable	UL2464 16AWG*5C DD=7.5mm, Color: Black	1

1	2	3	4	5
Black	Brown	Red	Orange	Green

Wiring Diagram

Item	Part Name	Material / Finish	Qty
1	Housing	Thermoplastic Color: Black	1

C3 10A 5P Cable To Cable Female Lock

THIRD ANGLE PROJECTION	SIZE	SCALE	DRAW / DATE	CHECK / DATE	APPROVE / DATE	TOLERANCES	UNIT	SHEET
	B	1:1	Joyce 03/29/12	Lucas 03/29/12	Roy 03/29/12	XX ± 0.5 XXX ± 0.2	mm	1/1

Part No.	Cable Length	Tol.
GT153244-23051-10	10000 mm	±500
GT153244-23051-09	9000 mm	±450
GT153244-23051-08	8000 mm	±400
GT153244-23051-07	7000 mm	±350
GT153244-23051-06	6000 mm	±300
GT153244-23051-05	5000 mm	±250
GT153244-23051-04	4000 mm	±200
GT153244-23051-03	3000 mm	±150
GT153244-23051-02	2000 mm	±100
GT153244-23051-01	1000 mm	±50
GT153244-23051-29	900 mm	±40
GT153244-23051-28	800 mm	±40
GT153244-23051-27	700 mm	±40
GT153244-23051-26	600 mm	±40
GT153244-23051-25	500 mm	±40
GT153244-23051-24	400 mm	±40
GT153244-23051-23	300 mm	±40

GT Contact CO., LTD

NOTICE OF PROPRIETARY PROPERTY:
 THE INFORMATION CONTAINED HEREIN IS THE PROPRIETARY PROPERTY OF GT CONTACT CO., LTD. THE POSSESSOR AGREES TO MAINTAIN THIS DOCUMENT IN CONFIDENCE AND NOT TO REPRODUCE OR COPY IT WITHOUT THE WRITTEN PERMISSION OF GT CONTACT CO., LTD. (©) ALL RIGHTS RESERVED

A

B

C

D

A

B

C

D

1

2

3

4