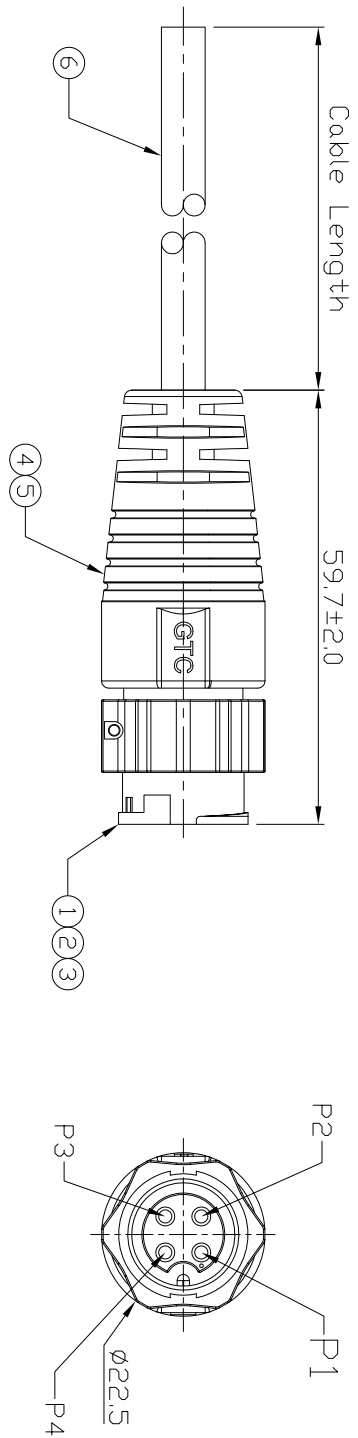


- Notes: (Unless Otherwise Specified)
1. Waterproof Rate : IP67.
 2. RoHS Compliant.

REV	ECN#	DESCRIPTION OF REVISION	DRAW BY DATE	CHECK BY DATE	APPROVE BY DATE
01			Joyce 03/29/12	Lucas 03/29/12	Ray 03/29/12

GTC
R&D DEPT. ISSUE
MAR.29.2012
ONLY FOR
RELEASE



Item	Part Name	Material / Finish	Qty
1	Housing	Thermoplastic Color: Black	1
2	Contacts	Copper Alloy Finish: Au Plated	4
3	Base	Thermoplastic Color: Black	1
4	Inner Mold	Thermoplastic Color: White or Black	1
5	Dyer Mold	PVC Color: Black	1
6	Cable	UL2464 16AWG*4C DD=7.0mm, Color: Black	1

Color	Qty
Black	1
Brown	2
Red	3
Orange	4

Wiring Diagram

GT153244-23041-10	10000 mm	±500
GT153244-23041-09	9000 mm	±450
GT153244-23041-08	8000 mm	±400
GT153244-23041-07	7000 mm	±350
GT153244-23041-06	6000 mm	±300
GT153244-23041-05	5000 mm	±250
GT153244-23041-04	4000 mm	±200
GT153244-23041-03	3000 mm	±150
GT153244-23041-02	2000 mm	±100
GT153244-23041-01	1000 mm	±50
GT153244-23041-29	900 mm	±40
GT153244-23041-28	800 mm	±40
GT153244-23041-27	700 mm	±40
GT153244-23041-26	600 mm	±40
GT153244-23041-25	500 mm	±40
GT153244-23041-24	400 mm	±40
GT153244-23041-23	300 mm	±40
Part No.	Cable Length	Tol.

TITLE	DRAWING NUMBER	REV.
C3 10A 4P Cable To Cable Female Lock	GT153244-23041-XX	01

DO NOT SCALE DRAWINGS	B	1:1	Joyce 03/29/12	Lucas 03/29/12	Ray 03/29/12	XX XXX	± 0.5 ± 0.2	XXXX ANGLES	± 0.05 ± 1°	mm	1/1
THIRD ANGLE PROJECTION	SIZE	SCALE	DRAW / DATE	CHECK / DATE	APPROVE / DATE	TOLERANCES	UNIT	SHEET			

GT Contact CD,LTD

NOTICE OF PROPRIETARY PROPERTY:
THE INFORMATION CONTAINED HEREIN IS THE PROPRIETARY PROPERTY OF CONTACT CD,LTD. THE FORSSESSOR AGREES TO MAINTAIN THIS DOCUMENT IN CONFIDENCE AND NOT TO REPRODUCE OR COPY IT WITHOUT THE WRITTEN PERMISSION OF CONTACT CD,LTD. ALL RIGHTS RESERVED.