

1

2

3

4

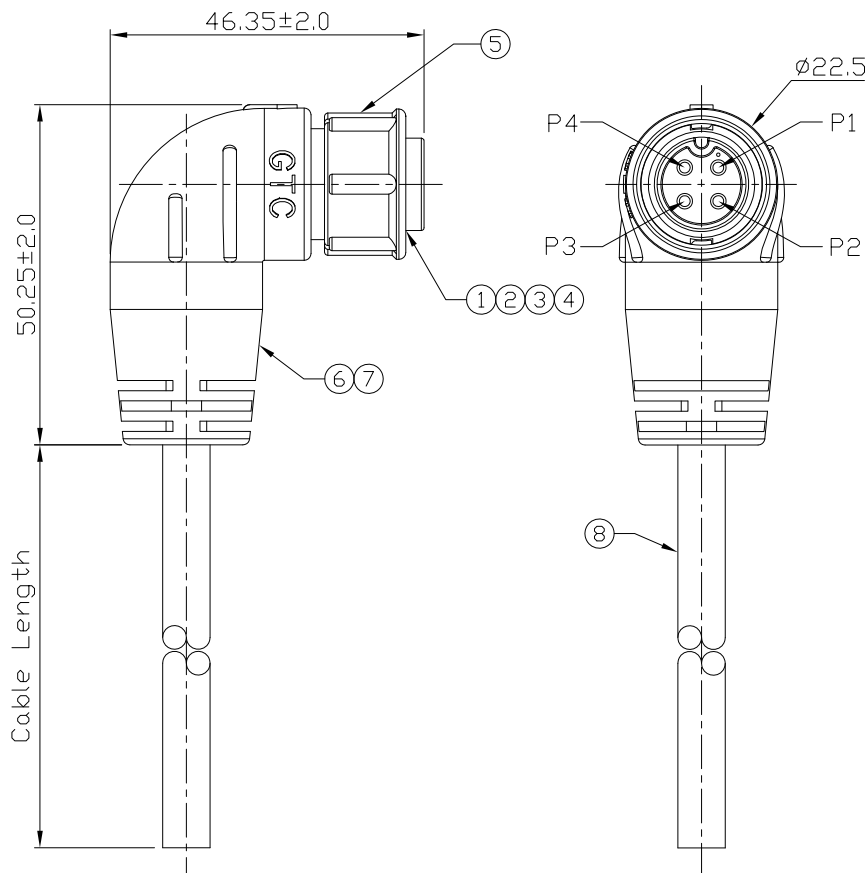
Notes: (Unless Otherwise Specified)

- 1. Waterproof Rate: IP67.
- 2. RoHS Compliant.

REV	ECN#	DESCRIPTION OF REVISION	DRAW BY DATE	CHECK BY DATE	APPROVE BY DATE
A0			Hank 08/30/23	Hank 08/30/23	Lucas 08/30/23

1	Black
2	Brown
3	Red
4	Orange

Wiring Diagram



Part No.	Cable Length	Tol.
GT153235-23041-10	10000 mm	+500
GT153235-23041-09	9000 mm	+450
GT153235-23041-08	8000 mm	+400
GT153235-23041-07	7000 mm	+150
GT153235-23041-06	6000 mm	+150
GT153235-23041-05	5000 mm	+150
GT153235-23041-04	4000 mm	+150
GT153235-23041-03	3000 mm	+100
GT153235-23041-02	2000 mm	+100
GT153235-23041-01	1000 mm	+50
GT153235-23041-Z9	900 mm	+50
GT153235-23041-Z8	800 mm	+50
GT153235-23041-Z7	700 mm	+50
GT153235-23041-Z6	600 mm	+50
GT153235-23041-Z5	500 mm	+50
GT153235-23041-Z4	400 mm	+50
GT153235-23041-Z3	300 mm	+25
GT153235-23041-Z2	200 mm	+25
GT153235-23041-Z1	100 mm	+25

Item	Part Name	Material/Finish	Q'ty
8	Cable	UL2464 16AWG*4C Color: Black, OD=7.0mm	1
7	Over Mold	PVC Color: Black	1
6	Inner Mold	Thermoplastic Color: White Or Black	1
5	Lock Nut	Thermoplastic Color: Black	1
4	Base	Thermoplastic Color: Black	1
3	O-ring	Silicone Color: Red	1
2	Contacts	Copper Alloy Finish: Au Plated	4
1	Housing	Thermoplastic Color: Black	1

TITLE C3 10A 4P Cable End 90° Male Lock With Cable					DRAWING NUMBER GT153235-23041-XX			REV. A0	
---	--	--	--	--	-------------------------------------	--	--	------------	--

THIRD ANGLE PROJECTION	SIZE	SCALE	DRAW / DATE	CHECK / DATE	APPROVE / DATE	TOLERANCES	UNIT	SHEET
	B	1:1	Hank 08/30/23	Hank 08/30/23	Lucas 08/30/23	X.X ± 0.5 X.XX ± 0.2	X.XXX ± 0.05 ANGLES ± 1°	mm 1/1

GT Contact CO.,LTD

NOTICE OF PROPRIETARY PROPERTY:
THE INFORMATION CONTAINED HEREIN IS THE PROPRIETARY PROPERTY OF GT Contact CO.,LTD THE POSSESSOR AGREES TO THE FOLLOWING:
(i) TO MAINTAIN THIS DOCUMENT IN CONFIDENCE
(ii) NOT TO REPRODUCE OR COPY IT
(iii) NOT TO REVEAL OR PUBLISH IT IN WHOLE OR PART
(iv) ALL RIGHTS RESERVED

1

2

3

4