

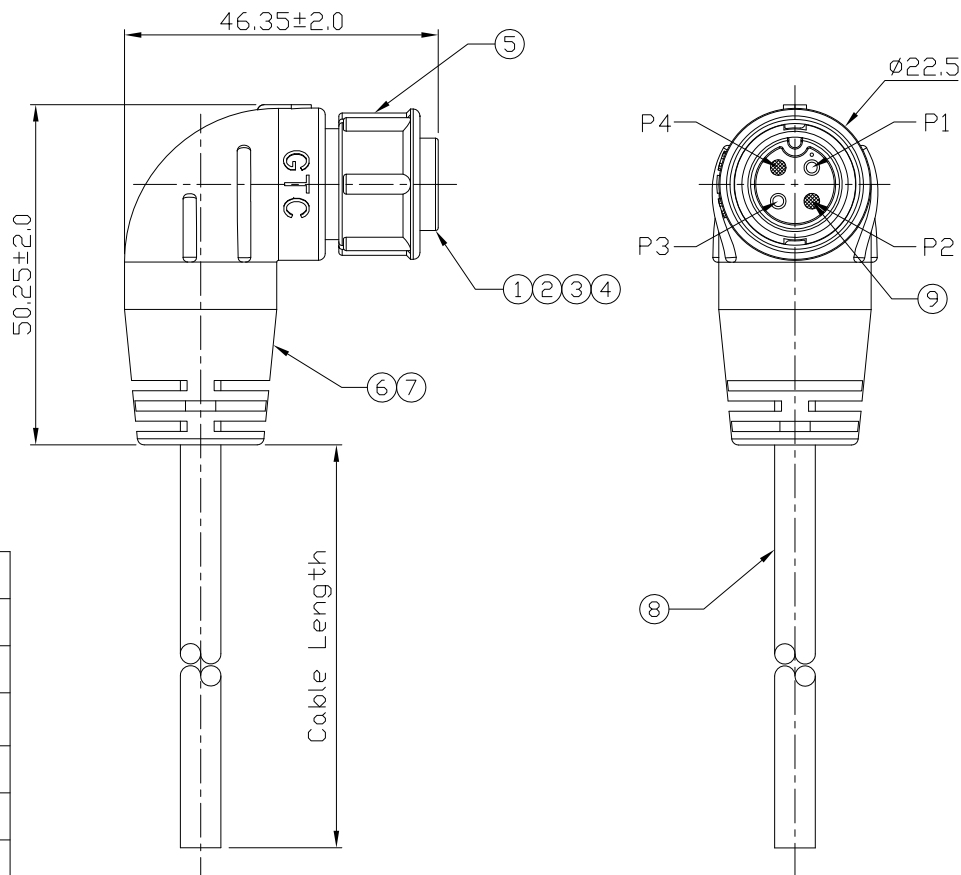
REV	ECN#	DESCRIPTION OF REVISION	DRAW BY DATE	CHECK BY DATE	APPROVE BY DATE
A0		Mass Production	Jimmy 02/24/17	Lucas 02/24/17	Ray 02/24/17

Notes: (Unless Otherwise Specified)

1. Waterproof Rate: IP67.
2. RoHS & REACH Compliant.

1	Black
2	N/C
3	Red
4	N/C

Wiring Diagram



GTC
DOC.CENTER.ISSUE
MAR.02.2017
ONLY FOR
RELEASE

GT153235-23021-10	10000 mm	+500
GT153235-23021-09	9000 mm	+450
GT153235-23021-08	8000 mm	+400
GT153235-23021-07	7000 mm	+150
GT153235-23021-06	6000 mm	+150
GT153235-23021-05	5000 mm	+150
GT153235-23021-04	4000 mm	+150
GT153235-23021-03	3000 mm	+100
GT153235-23021-02	2000 mm	+100
GT153235-23021-01	1000 mm	+50
GT153235-23021-Z9	900 mm	+50
GT153235-23021-Z8	800 mm	+50
GT153235-23021-Z7	700 mm	+50
GT153235-23021-Z6	600 mm	+50
GT153235-23021-Z5	500 mm	+50
GT153235-23021-Z4	400 mm	+50
GT153235-23021-Z3	300 mm	+25
GT153235-23021-Z2	200 mm	+25
GT153235-23021-Z1	100 mm	+25
Part No.	Cable Length	Tol.

9	Gland Pin	Thermoplastic Color: Black	3
8	Cable	UL2464 16AWG*2C+AL/MY+F Color: Black, OD=6.0mm	1
7	Over Mold	PVC Color: Black	1
6	Inner Mold	Thermoplastic Color: White Or Black	1
5	Lock Nut	Thermoplastic Color: Black	1
4	SP Base	Thermoplastic Color: Black	1
3	D-ring	Silicone Color: Red	1
2	Contacts	Copper Alloy Finish: Au Plated	2
1	Housing	Thermoplastic Color: Black	1
Item	Part Name	Material/Finish	Q'ty

TITLE C3 10A 2P Cable End 90° Male Lock With Cable						DRAWING NUMBER GT153235-23021-XX			REV. A0		
THIRD ANGLE PROJECTION	SIZE B	SCALE 1:1	DRAW / DATE Jimmy 02/24/17	CHECK / DATE Lucas 02/24/17	APPROVE / DATE Ray 02/24/17	TOLERANCES X.X ± 0.5 X.XX ± 0.2		ANGLES X.XXX ± 0.05 X.XX ± 1°		UNIT mm	SHEET 1/1

GT Contact CO.,LTD

NOTICE OF PROPRIETARY PROPERTY:
THE INFORMATION CONTAINED HEREIN IS THE PROPRIETARY PROPERTY OF GT Contact CO.,LTD THE POSSESSOR AGREES TO THE FOLLOWING:
(i) TO MAINTAIN THIS DOCUMENT IN CONFIDENCE
(ii) NOT TO REPRODUCE OR COPY IT
(iii) NOT TO REVEAL OR PUBLISH IT IN WHOLE OR PART
(iv) ALL RIGHTS RESERVED