

1

2

3

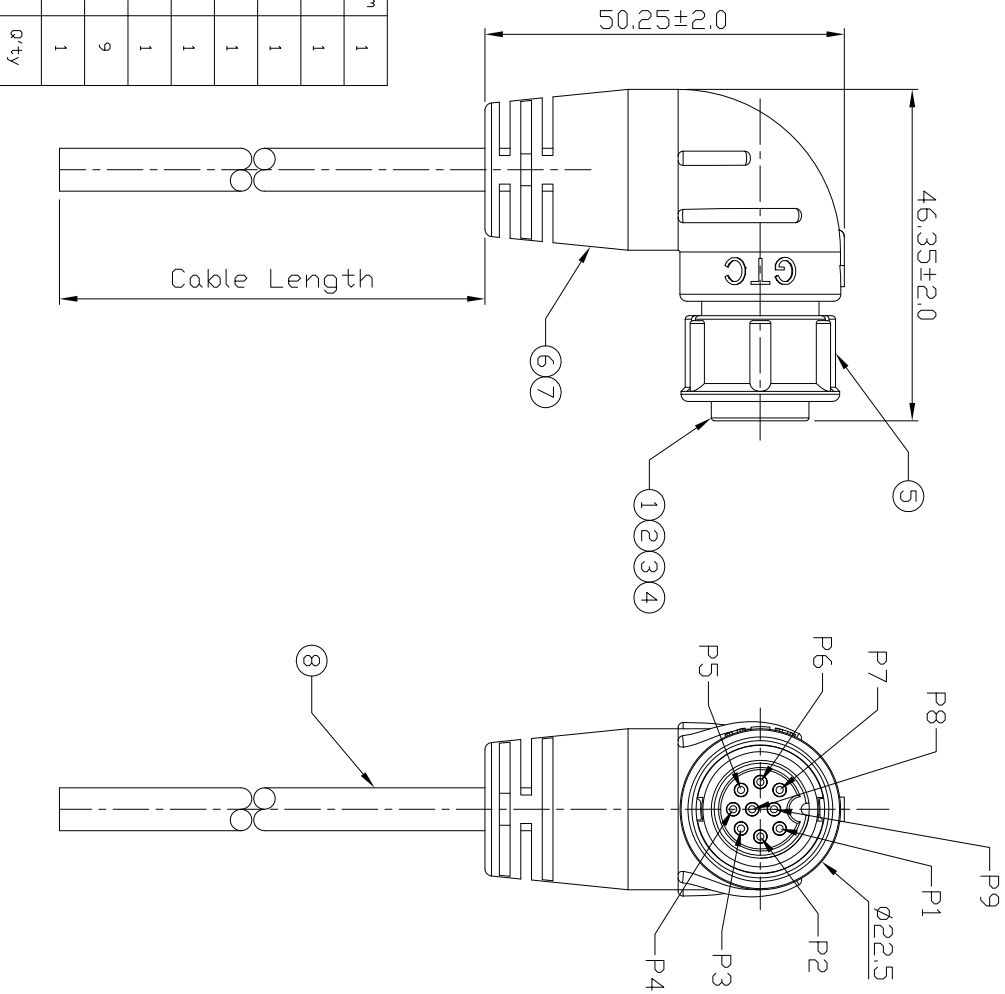
4

- Notes: (Unless Otherwise Specified)
1. Waterproof Rate: IP67.
  2. RoHS Compliant.

REV	ECN#	DESCRIPTION OF REVISION	DRAW BY DATE	CHECK BY DATE	APPROVE BY DATE
A0		Mass Production	Lucas 12/14/11	Roy 12/14/11	Roy 12/14/11

- |   |        |
|---|--------|
| 1 | Black  |
| 2 | Brown  |
| 3 | Red    |
| 4 | Orange |
| 5 | Yellow |
| 6 | Green  |
| 7 | Blue   |
| 8 | Violet |
| 9 | Gray   |

Wiring Diagram



Item	Part Name	Material/Finish	Qty
1	Housing	Thermoplastic Color: Black	1
2	Contacts	Copper Alloy Finish: Au Plated	9
3	O-ring	Silicone Color: Red	1
4	9P Base	Thermoplastic Color: Black	1
5	Lock Nut	Thermoplastic Color: Black	1
6	Inner Mold	Thermoplastic Color: White Dr. Black	1
7	Over Mold	PVC Color: Black	1
8	Cable	UL2464 9C*24AWG+AL/MT, DP=6.0mm Color: Black	1

TITLE  
C3 5A 9P Cable End 90° Male Lock

DO NOT SCALE DRAWINGS	B	1:1	Lucas 06/08/11	Roy 06/08/11	Roy 06/08/11	XX XXX	± 0.5 ± 0.2	XXXX ANGLES	± 0.05 ± 1°	mm	1/1
THIRD ANGLE PROJECTION	SIZE	SCALE	DRAW / DATE	CHECK / DATE	APPROVE / DATE	TOLERANCES	UNIT	SHEET	REV.	DRAWING NUMBER GT153235-22091-XX A0	

GTC  
DOC CENTER/ISSUE  
DEC.14.2011  
ONLY FOR  
RELEASE

GT153235-22091-10	10000 mm	±500
GT153235-22091-09	9000 mm	±450
GT153235-22091-08	8000 mm	±400
GT153235-22091-07	7000 mm	±350
GT153235-22091-06	6000 mm	±300
GT153235-22091-05	5000 mm	±250
GT153235-22091-04	4000 mm	±200
GT153235-22091-03	3000 mm	±150
GT153235-22091-02	2000 mm	±100
GT153235-22091-01	1000 mm	±50
GT153235-22091-Z5	500 mm	±40
Part No.	Cable Length	Tol.

GT Contact CO.,LTD

NOTICE OF PROPRIETARY PROPERTY:  
THE INFORMATION CONTAINED HEREIN IS THE PROPRIETARY PROPERTY OF GT CONTACT CO.,LTD THE PESSOR ADDRESS OF THE FOLLOWING DOCUMENT IN CONFIDENCE  
DO NOT TO REPRODUCE OR COPY IT  
DO NOT TO REVEAL OR PUBLISH IT IN WHOLE OR PART  
(\*) ALL RIGHTS RESERVED

1

2

3

4

A

B

C

D