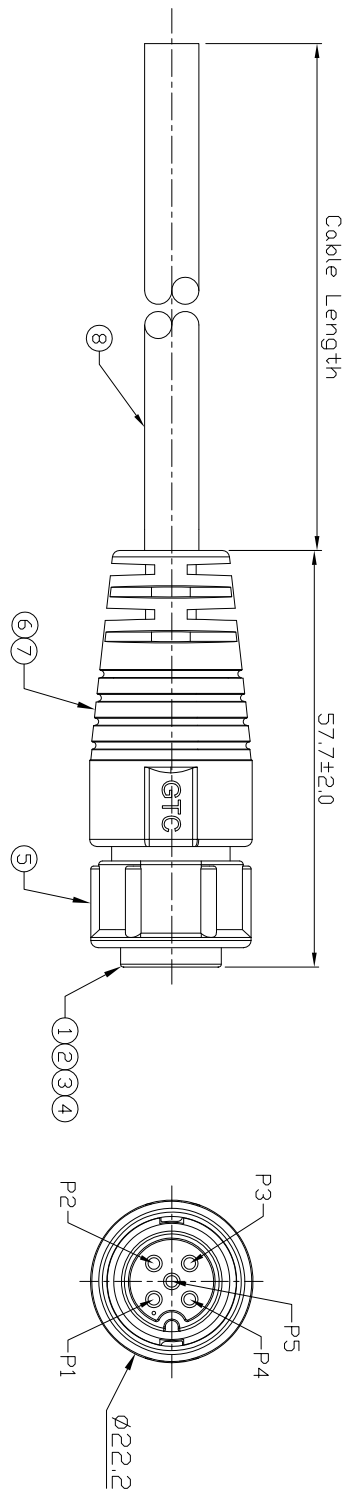


Notes: (Unless Otherwise Specified)
 1. Waterproof Rate: IP67.
 2. RoHS Compliance.

REV	ECN#	DESCRIPTION OF REVISION	DRAW BY DATE	CHECK BY DATE	APPROVE BY DATE
A0		Mass Production	Vicky 05/11/11	Lucas 05/11/11	Ray 05/11/11
A1		Add GT153234-23051-Z1	Lucas 07/18/11	Ray 07/18/11	Ray 07/18/11



Item	Part Name	Material / Finish	Qty
8	Cable	UL2464 5C*16AWG Color: Black, DD=7.5mm	1
7	Dver Mold	PVC Color: Black	1
6	Inner Mold	Thermal Plastic Color: White or Black	1
5	Lock Nut	Thermal Plastic Color: Black	1
4	O-Ring	Silicone Color: Red	1
3	Contacts	Copper Alloy Finish: Au Plated	5
2	Base	Thermal Plastic Color: Black	1
1	Housing	Thermal Plastic Color: Black	1

1	2	3	4	5
Black	Brown	Red	Orange	Green

Wiring Diagram

GTC
 DOC.CENTER.ISSUE
 JUL.18.2011
 ONLY FOR
 RELEASE

GT153234-23051-10	10000 mm	±500
GT153234-23051-09	9000 mm	±450
GT153234-23051-08	8000 mm	±400
GT153234-23051-07	7000 mm	±350
GT153234-23051-06	6000 mm	±300
GT153234-23051-05	5000 mm	±250
GT153234-23051-04	4000 mm	±200
GT153234-23051-03	3000 mm	±150
GT153234-23051-02	2000 mm	±100
GT153234-23051-01	1000 mm	±50
GT153234-23051-Z5	500 mm	±40
GT153234-23051-Z1	100 mm	±10

Part No.	Cable Length	Tol.
----------	--------------	------

TITLE C3 10A 5P Cable End Male Lock

DRAWING NUMBER GT153234-23051-XX
 REV. A1

DO NOT SCALE DRAWINGS	B	1:1	Vicky 05/11/11	Lucas 05/11/11	Ray 05/11/11	XXX ± 0.5	XXX ± 0.05	mm	1/1
THIRD ANGLE PROJECTION	SIZE	SCALE	DRAW / DATE	CHECK / DATE	APPROVE / DATE	ANGLES	± 1°	UNIT	SHEET

GT Contact CO.,LTD
 NOTICE OF PROPRIETARY PROPERTY:
 THE INFORMATION CONTAINED HEREIN IS THE PROPRIETARY PROPERTY OF GT CONTACT CO.,LTD. THE POSSESSOR AGREES TO MAINTAIN THIS DOCUMENT IN CONFIDENCE AND NOT TO REPRODUCE OR COPY IT IN ANY FORM OR BY ANY MEANS, ELECTRONIC OR MECHANICAL, INCLUDING PHOTOCOPYING, RECORDING, OR BY ANY INFORMATION STORAGE AND RETRIEVAL SYSTEM. ALL RIGHTS RESERVED.