

1

2

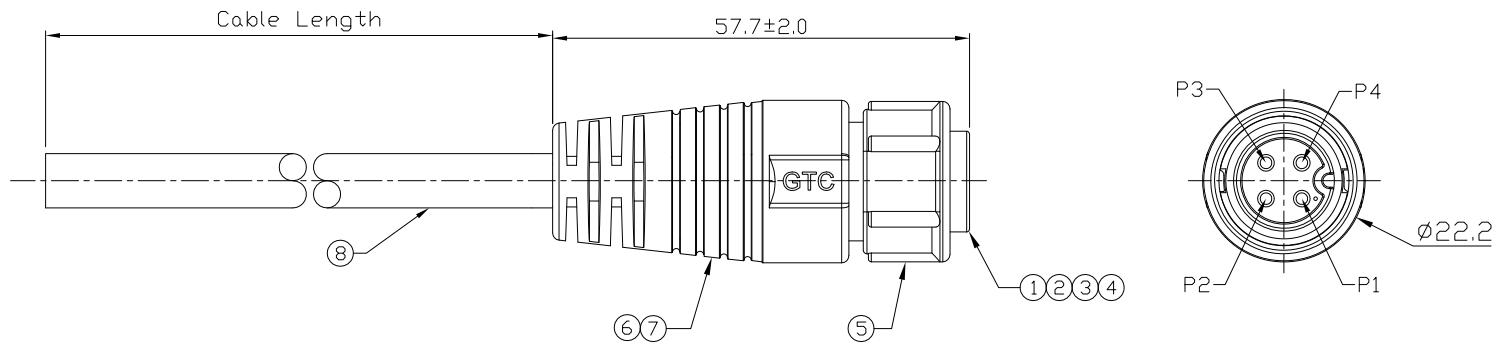
3

4

Notes: (Unless Otherwise Specified)

- 1. Waterproof Rate: IP67.
- 2. RoHS Compliance.

REV	ECN#	DESCRIPTION OF REVISION	DRAW BY DATE	CHECK BY DATE	APPROVE BY DATE
01			Joyce 08/10/11	Lucas 08/10/11	Ray 08/10/11



1	Black
2	Brown
3	Red
4	Orange

Wiring Diagram

GTC
R&D DEPT. ISSUE
AUG.10.2011
ONLY FOR
RELEASE

GT153234-23041-10	10000 mm	±500
GT153234-23041-09	9000 mm	±450
GT153234-23041-08	8000 mm	±400
GT153234-23041-07	7000 mm	±350
GT153234-23041-06	6000 mm	±300
GT153234-23041-05	5000 mm	±250
GT153234-23041-04	4000 mm	±200
GT153234-23041-03	3000 mm	±150
GT153234-23041-02	2000 mm	±100
GT153234-23041-01	1000 mm	±50
GT153234-23041-Z5	500 mm	±40
GT153234-23041-Z1	100 mm	±10
Part No.	Cable Length	Tol.

Item	Part Name	Material / Finish	Q'ty
8	Cable	UL2464 4C*16AWG Color: Black,OD=7.0mm	1
7	Over Mold	PVC Color: Black	1
6	Inner Mold	Thermal Plastic Color: White or Black	1
5	Lock Nut	Thermal Plastic Color: Black	1
4	O-Ring	Silicone Color: Red	1
3	Contacts	Copper Alloy Finish: Au Plated	4
2	Base	Thermal Plastic Color: Black	1
1	Housing	Thermal Plastic Color: Black	1

GT Contact CO.,LTD

NOTICE OF PROPRIETARY PROPERTY:

THE INFORMATION CONTAINED HEREIN IS THE PROPRIETARY PROPERTY OF GT Contact CO.,LTD THE POSSESSOR AGREES TO THE FOLLOWING:
 (i) TO MAINTAIN THIS DOCUMENT IN CONFIDENCE
 (ii) NOT TO REPRODUCE OR COPY IT
 (iii) NOT TO REVEAL OR PUBLISH IT IN WHOLE OR PART
 (iv) ALL RIGHTS RESERVED

TITLE						DRAWING NUMBER			REV.	
C3 10A 4P Cable End Male Lock						GT153234-23041-XX			01	
THIRD ANGLE PROJECTION	SIZE	SCALE	DRAW / DATE	CHECK / DATE	APPROVE / DATE	X.X ± 0.5 X.XX ± 0.2	X.XXX ± 0.05 ANGLES ± 1°	mm	1/1	

1

2

3

4