

1

2

3

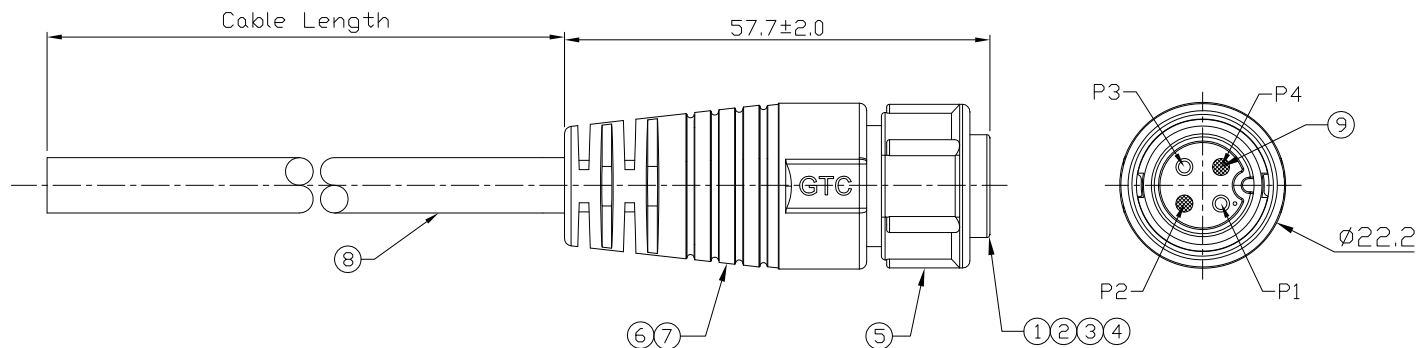
4

Notes: (Unless Otherwise Specified)

- 1. Waterproof Rate: IP67.
- 2. RoHS Compliant.

REV	ECN#	DESCRIPTION OF REVISION	DRAW BY DATE	CHECK BY DATE	APPROVE BY DATE
01			Joyce 02/13/15	Lucas 02/13/15	Ray 02/13/15

GTC  
R&D DEPT. ISSUE  
**FEB.13.2015**  
ONLY FOR  
RELEASE



GT153234-23021-10	10000 mm	±500
GT153234-23021-09	9000 mm	±450
GT153234-23021-08	8000 mm	±400
GT153234-23021-07	7000 mm	±150
GT153234-23021-06	6000 mm	±150
GT153234-23021-05	5000 mm	±150
GT153234-23021-04	4000 mm	±150
GT153234-23021-03	3000 mm	±150
GT153234-23021-02	2000 mm	±100
GT153234-23021-01	1000 mm	±50
GT153234-23021-Z9	900 mm	±40
GT153234-23021-Z8	800 mm	±40
GT153234-23021-Z7	700 mm	±40
GT153234-23021-Z6	600 mm	±40
GT153234-23021-Z5	500 mm	±40
GT153234-23021-Z4	400 mm	±20
GT153234-23021-Z3	300 mm	±20
GT153234-23021-Z2	200 mm	±10
Part No.	Cable Length	Tol.

1	Black
2	N/C
3	Red
4	N/C

Wiring Diagram

Item	Part Name	Material / Finish	Q'ty
9	Gland Pin	Thermoplastic Color: Black	3
8	Cable	UL2464 16AWG*2C+Al/My+F Color: Black, OD=6.0mm	1
7	Over Mold	PVC Color: Black	1
6	Inner Mold	Thermoplastic Color: White Or Black	1
5	Lock Nut	Thermoplastic Color: Black	1
4	O-Ring	Silicone Color: Red	1
3	Contacts	Copper Alloy Finish: Au Plated	2
2	Base	Thermoplastic Color: Black	1
1	Housing	Thermoplastic Color: Black	1

TITLE						DRAWING NUMBER			REV.
C3 10A 2P Cable End Male Lock						GT153234-23021-XX			01
THIRD ANGLE PROJECTION	SIZE	SCALE	DRAW / DATE	CHECK / DATE	APPROVE / DATE	TOLERANCES	UNIT	SHEET	
	B	1:1	Joyce 02/13/15	Lucas 02/13/15	Ray 02/13/15	X.X ± 0.5 X.XX ± 0.2	mm	1/1	
						X.XXX ± 0.05 ANGLES ± 1°			

GT Contact CO.,LTD

NOTICE OF PROPRIETARY PROPERTY:  
THE INFORMATION CONTAINED HEREIN IS THE PROPRIETARY PROPERTY OF GT Contact CO.,LTD THE POSSESSOR AGREES TO THE FOLLOWING:  
(a) TO MAINTAIN THIS DOCUMENT IN CONFIDENCE  
(b) NOT TO REPRODUCE OR COPY IT  
(c) NOT TO REVEAL OR PUBLISH IT IN WHOLE OR PART  
(d) ALL RIGHTS RESERVED

1

2

3

4