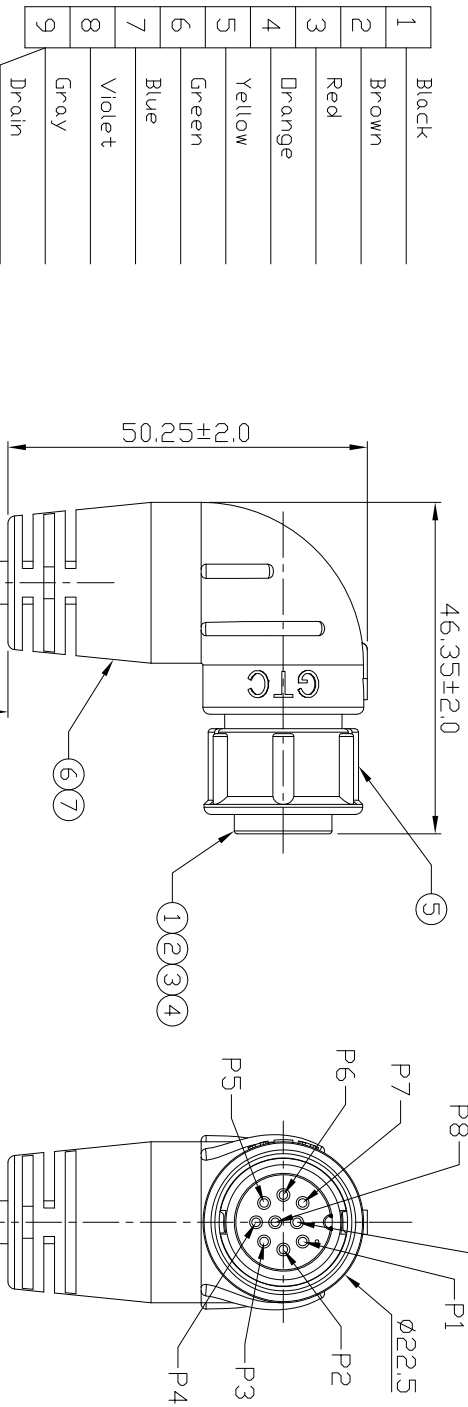


- Notes: (Unless Otherwise Specified)
1. Waterproof Rate: IP67.
 2. RoHS Compliant.

REV	ECN#	DESCRIPTION OF REVISION	DRAW BY DATE	CHECK BY DATE	APPROVE BY DATE
01			Joyce 12/15/11	Lucas 12/15/11	Roy 12/15/11



Wiring Diagram

Item	Part Name	Material/Finish	Qty
1	Housing	Thermoplastic Color: Black	1
2	Contacts	Copper Alloy Finish: Au Plated	9
3	D-Ring	Silicone Color: Red	1
4	9P Base	Thermoplastic Color: Black	1
5	Lock Nut	Thermoplastic Color: Black	1
6	Inner Mold	Thermoplastic Color: White Dr. Black	1
7	Over Mold	PVC Color: Black	1
8	Cable	UL2464 9C*24AWG+AI/My, DD=6.0mm Color: Black	1

TITLE
C3 5A 9P Cable End 90° Female Lock

THIRD ANGLE PROJECTION	SIZE	SCALE	DRAW / DATE	CHECK / DATE	APPROVE / DATE	DRAWING NUMBER	REV.
	B	1:1	Joyce 12/15/11	Lucas 12/15/11	Roy 12/15/11	GT153225-22091-XX	01

GTC
R&D DEPT. ISSUE
DEC.15.2011
ONLY FOR
RELEASE

GT153225-22091-10	10000 mm	±500
GT153225-22091-09	9000 mm	±450
GT153225-22091-08	8000 mm	±400
GT153225-22091-07	7000 mm	±350
GT153225-22091-06	6000 mm	±300
GT153225-22091-05	5000 mm	±250
GT153225-22091-04	4000 mm	±200
GT153225-22091-03	3000 mm	±150
GT153225-22091-02	2000 mm	±100
GT153225-22091-01	1000 mm	±50
GT153225-22091-Z9	900 mm	±40
GT153225-22091-Z5	500 mm	±40
GT153225-22091-Z3	300 mm	±40
Part No.	Cable Length	Tol.

GT Contact CO.,LTD

NOTICE OF PROPRIETARY PROPERTY:
THE INFORMATION CONTAINED HEREIN IS THE PROPRIETARY PROPERTY OF GT CONTACT CO.,LTD. THE POSSESSOR AGREES TO THE FOLLOWING DOCUMENT IN CONFIDENCE AND NOT TO REPRODUCE OR COPY IT OR NOT TO REVEAL OR PUBLISH IT IN WHOLE OR PART (BY ALL RIGHTS RESERVED)