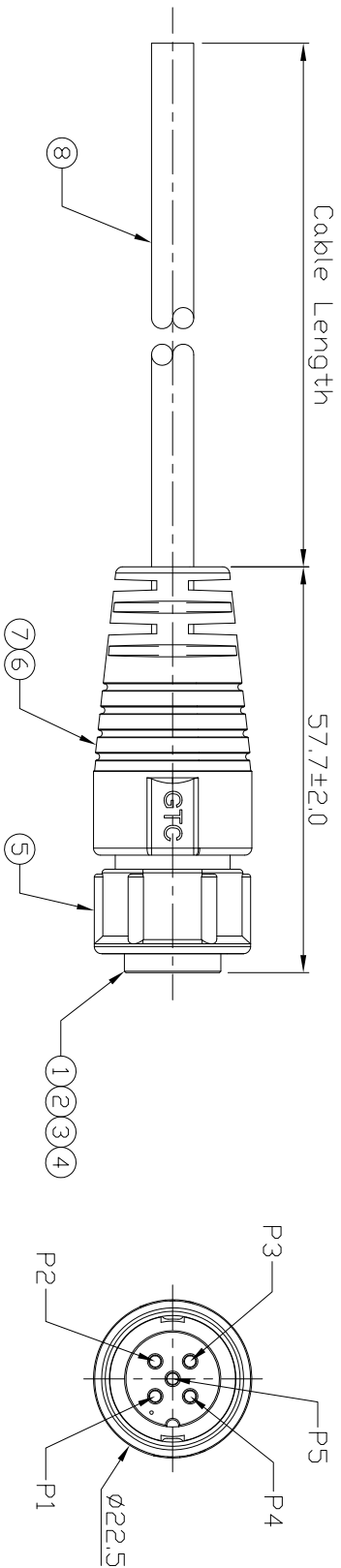


Notes: (unless Otherwise Specified)
 1. Waterproof Rate : IP67.
 2. RoHS Compliance.

REV	ECN#	DESCRIPTION OF REVISION	DRAW BY DATE	CHECK BY DATE	APPROVE BY DATE
01			Lucas 08/23/10	Ray 08/23/10	Ray 08/23/10
02	CH-110702	Modify Cable 16AWG Δ	Lucas 07/14/11 Vicky	Lucas 07/14/11	Ray 07/14/11



Item	Part Name	Material / Finish	Qty
1	Housing	Thermal Plastic Color: Black	1
2	Contacts	Copper Alloy Finish: Au Plated	5
3	O-Ring	Silicone Color: Red	1
4	Base	Thermal Plastic Color: Black	1
5	Lock Nut	Thermal Plastic Color: Black	1
6	Inner Mold	Thermal Plastic Color: White or Black	1
7	Over Mold	PVC Color: Black	1
8	Cable	UL2464 16AWG*5C DD=7.5mm, Color: Black	1

GTC
 R&D DEPT. ISSUE
 JUL.19.2011
 ONLY FOR
 RELEASE

1	2	3	4	5
Black	Brown	Red	Orange	Green

Δ Wiring Diagram

GT1S3224-230S1-10	10000 mm	±500
GT1S3224-230S1-09	9000 mm	±450
GT1S3224-230S1-08	8000 mm	±400
GT1S3224-230S1-07	7000 mm	±350
GT1S3224-230S1-06	6000 mm	±300
GT1S3224-230S1-05	5000 mm	±250
GT1S3224-230S1-04	4000 mm	±200
GT1S3224-230S1-03	3000 mm	±150
GT1S3224-230S1-02	2000 mm	±100
GT1S3224-230S1-01	1000 mm	±50
GT1S3224-230S1-Z9	900 mm	±40
GT1S3224-230S1-Z5	500 mm	±40
GT1S3224-230S1-Z3	300 mm	±40

GT Contact CD, LTD

NOTICE OF PROPRIETARY PROPERTY:
 THE INFORMATION CONTAINED HEREIN IS THE PROPRIETARY PROPERTY OF GT Contact CD, LTD. THE POSSESSOR AGREES TO THE FOLLOWING:
 (1) TO MAINTAIN THIS DOCUMENT IN CONFIDENCE
 (2) NOT TO REPRODUCE OR COPY IT
 (3) NOT TO REVEAL OR PUBLISH IT IN WHOLE OR PART
 (4) ALL RIGHTS RESERVED

TITLE	DRAWING NUMBER	REV.
C3 10A 5P Cable End Female Lock	GT1S3224-230S1-XX	02

THIRD ANGLE PROJECTION	SIZE	SCALE	DRAW / DATE	CHECK / DATE	APPROVE / DATE	TOLERANCES	UNIT	SHEET
	B	1:1	Lucas 08/23/10	Ray 08/23/10	Ray 08/23/10	XX ± 0.5 XXX ± 0.2	mm	1/1