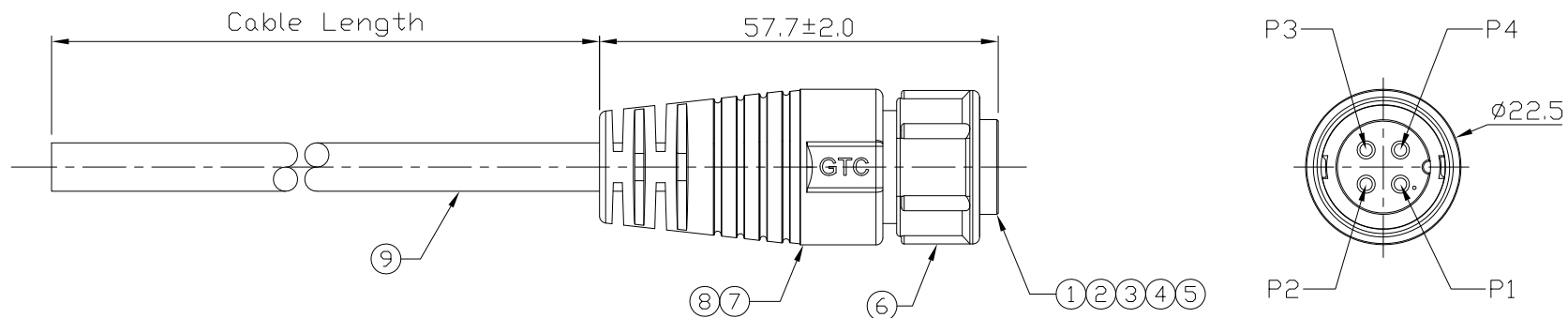


Notes: (Unless Otherwise Specified)

1. Waterproof Rate : IP67.
2. RoHS Compliant.

REV	ECN#	DESCRIPTION OF REVISION	DRAW BY DATE	CHECK BY DATE	APPROVE BY DATE
A0		Mass Production	Vicky 07/14/11	Lucas 07/14/11	Ray 07/14/11



Item	Part Name	Material / Finish	Q'ty
9	Cable	UL2464 16AWG*4C OD=7.0mm, Color: Black	1
8	Over Mold	PVC Color: Black	1
7	Inner Mold	Thermoplastic Color: White or Black	1
6	Lock Nut	Thermoplastic Color: Black	1
5	Gland Pin	Thermoplastic Color: Black	1
4	Base	Thermoplastic Color: Black	1
3	O-Ring	Silicone Color: Red	1
2	Contacts	Copper Alloy Finish: Au Plated	4
1	Housing	Thermoplastic Color: Black	1

GTC  
DOC.CENTER.ISSUE  
AUG.17.2016  
ONLY FOR  
RELEASE

1	Black
2	Brown
3	Red
4	Orange

Wiring Diagram

GT153224-23041-10	10000 mm	+500
GT153224-23041-09	9000 mm	+450
GT153224-23041-08	8000 mm	+400
GT153224-23041-07	7000 mm	+150
GT153224-23041-06	6000 mm	+150
GT153224-23041-05	5000 mm	+150
GT153224-23041-04	4000 mm	+150
GT153224-23041-03	3000 mm	+100
GT153224-23041-02	2000 mm	+100
GT153224-23041-01	1000 mm	+50
GT153224-23041-Z9	900 mm	+50
GT153224-23041-Z5	500 mm	+50
GT153224-23041-Z3	300 mm	+25
Part No.	Cable Length	Tol.

GT Contact CO.,LTD

NOTICE OF PROPRIETARY PROPERTY:

THE INFORMATION CONTAINED HEREIN IS THE PROPRIETARY PROPERTY OF GT CONTACT CO.,LTD THE POSSESSOR AGREES TO THE FOLLOWING:  
 (a) TO MAINTAIN THIS DOCUMENT IN CONFIDENCE  
 (b) NOT TO REPRODUCE OR COPY IT  
 (c) NOT TO REVEAL OR PUBLISH IT IN WHOLE OR PART  
 (d) ALL RIGHTS RESERVED

TITLE						DRAWING NUMBER			REV.
C3 10A 4P Cable End Female Lock						GT153224-23041-XX			A0
THIRD ANGLE PROJECTION	SIZE	SCALE	DRAW / DATE	CHECK / DATE	APPROVE / DATE	TOLERANCES	UNIT	SHEET	
	B	1:1	Lucas 08/12/10	Ray 08/12/10	Ray 08/12/10	X.X ± 0.5 X.XX ± 0.2	X.XXX ± 0.05 ANGLES ± 1°	mm 1/1	