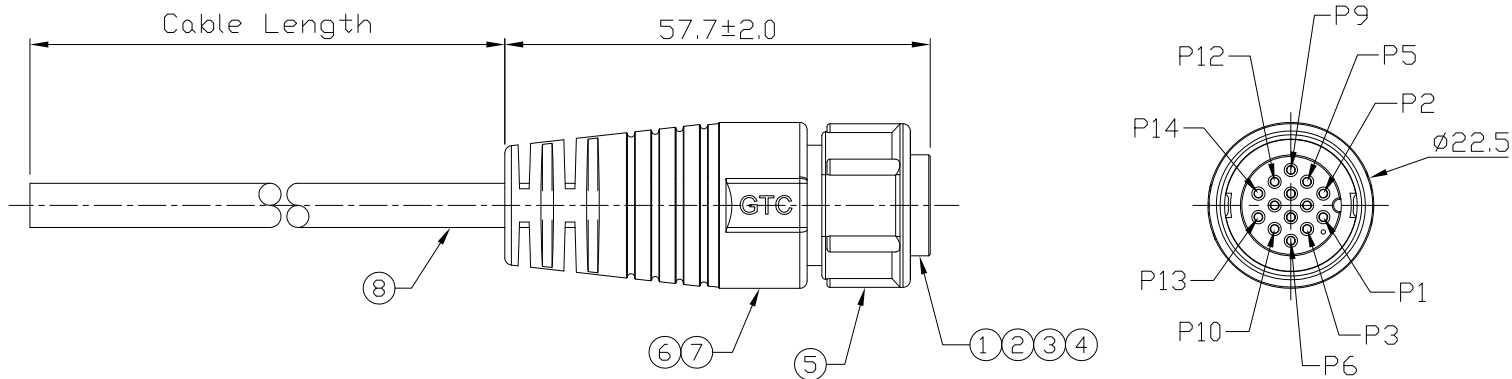


REV	ECN#	DESCRIPTION OF REVISION	DRAW BY DATE	CHECK BY DATE	APPROVE BY DATE
A1	ECN-180313	Refresh the drawing	Viola 03/16/18	Lucas 03/16/18	Ray 03/16/18

Notes: (Unless Otherwise Specified)

1. Waterproof Rate: IP67.
2. RoHS Compliant.



GT153224-22141-12	12000 mm	+600
GT153224-22141-10	10000 mm	±500
GT153224-22141-09	9000 mm	±450
GT153224-22141-08	8000 mm	±400
GT153224-22141-07	7000 mm	±350
GT153224-22141-06	6000 mm	±300
GT153224-22141-05	5000 mm	±250
GT153224-22141-04	4000 mm	±200
GT153224-22141-03	3000 mm	±150
GT153224-22141-02	2000 mm	±100
GT153224-22141-01	1000 mm	±50
GT153224-22141-Z9	900 mm	±40
GT153224-22141-Z8	800 mm	±40
GT153224-22141-Z7	700 mm	±40
GT153224-22141-Z6	600 mm	±40
GT153224-22141-Z5	500 mm	±40
GT153224-22141-Z4	400 mm	±40
GT153224-22141-Z3	300 mm	±40
Part No.	Cable Length	Tol.

1	Brown
2	Blue
3	White
4	Green
5	Yellow
6	Gray
7	Pink
8	Red
9	Black
10	Orange
11	Violet
12	Light Green
13	Black/White
14	Brown/White
	Drain

8	Cable	UL2464 24AWG*14C+D+Al/My, OD=7.0mm Color: Black	1
7	Over Mold	PVC Color: Black	1
6	Inner Mold	Thermoplastic Color: White Or Black	1
5	Lock Nut	Thermoplastic Color: Black	1
4	Base	Thermoplastic Color: Black	1
3	O-Ring	Silicone Color: Red	1
2	Contacts	Copper Alloy Finish: Au Plated	14
1	Housing	Thermoplastic Color: Black	1
Item	Part Name	Material/Finish	Q'ty

Wiring Diagram

GT Contact CO.,LTD

NOTICE OF PROPRIETARY PROPERTY:
THE INFORMATION CONTAINED HEREIN IS THE PROPRIETARY PROPERTY OF GT Contact CO.,LTD THE POSSESSOR AGREES TO THE FOLLOWING:
(1) TO MAINTAIN THIS DOCUMENT IN CONFIDENCE
(2) NOT TO REPRODUCE OR COPY IT
(3) NOT TO REVEAL OR PUBLISH IT IN WHOLE OR PART
(4) ALL RIGHTS RESERVED

TITLE C3 5A 14P Cable End Female Lock With Cable						DRAWING NUMBER GT153224-22141-XX			REV. A1	
THIRD ANGLE PROJECTION		SIZE B	SCALE 1:1	DRAW / DATE Vicky 10/11/10	CHECK / DATE Ray 10/11/10	APPROVE / DATE Ray 10/11/10	TOLERANCES X.X ± 0.5 X.XX ± 0.2		UNIT mm	SHEET 1/1