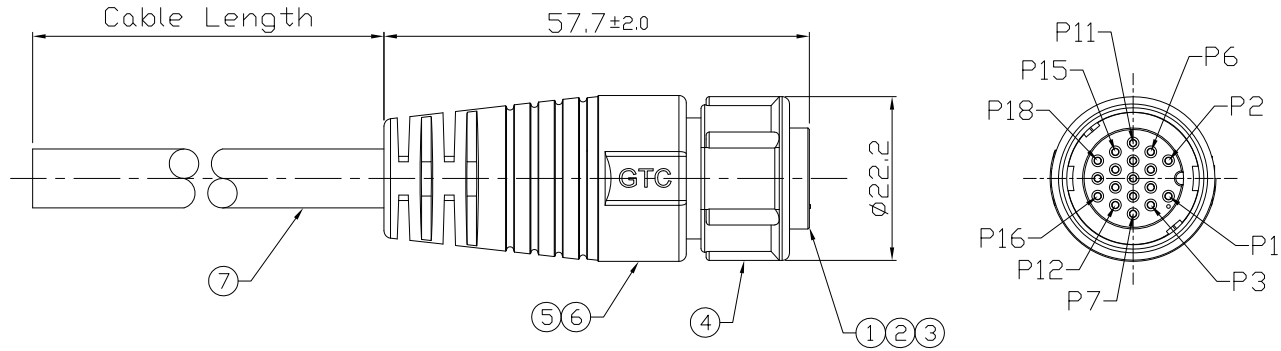


Notes: (Unless Otherwise Specified)

1. Waterproof Rate : IP67.
2. RoHS Compliant.

REV	ECN#	DESCRIPTION OF REVISION	DRAW BY DATE	CHECK BY DATE	APPROVE BY DATE
A0		Mass Production	Joyce 04/07/11	Lucas 04/07/11	Ray 04/07/11
A1	ECN-150619	Modify Drawing Number GT153224-01181-XX → GT153224-21181-XX	Joyce 06/30/15	Lucas 06/30/15	Ray 06/30/15



7	Cable	UL2464 24AWG*18C+D+Al/My Color: Black, OD=8.0mm	1
6	Over Mold	PVC Color: Black	1
5	Inner Mold	Thermoplastic Color: White	1
4	Lock Nut	Thermoplastic Color: Black	1
3	Contacts	Copper Alloy Finish: Au Plated	18
2	O-Ring	Silicone Color: Red	1
1	Housing	Thermoplastic Color: Black	1
Item	Part Name	Material / Finish	Q'ty

GTC
DOC.CENTER.ISSUE
JUN.30.2015
ONLY FOR
RELEASE

1	Brown
2	Blue
3	White
4	Green
5	Yellow
6	Gray
7	Pink
8	Red
9	Black
10	Orange
11	Violet
12	Light Green
13	Black/White
14	Brown/White
15	Red/White
16	Orange/White
17	Green/White
18	Blue/White
	Drain

Wiring Diagram

GT153224-21181-10	10000 mm	±500
GT153224-21181-09	9000 mm	±450
GT153224-21181-08	8000 mm	±400
GT153224-21181-07	7000 mm	±150
GT153224-21181-06	6000 mm	±150
GT153224-21181-05	5000 mm	±150
GT153224-21181-04	4000 mm	±150
GT153224-21181-03	3000 mm	±150
GT153224-21181-02	2000 mm	±100
GT153224-21181-01	1000 mm	±50
GT153224-21181-29	900 mm	±40
GT153224-21181-28	800 mm	±40
GT153224-21181-27	700 mm	±40
GT153224-21181-26	600 mm	±40
GT153224-21181-25	500 mm	±40
GT153224-21181-24	400 mm	±20
GT153224-21181-23	300 mm	±20
GT153224-21181-22	200 mm	±10

Part No.	Cable Length	Tol.
----------	--------------	------

GT Contact CO.,LTD

NOTICE OF PROPRIETARY PROPERTY:
THE INFORMATION CONTAINED HEREIN IS THE PROPRIETARY PROPERTY OF GT Contact CO.,LTD THE POSSESSOR AGREES TO THE FOLLOWING:
(a) TO MAINTAIN THIS DOCUMENT IN CONFIDENCE
(b) NOT TO REPRODUCE OR COPY IT
(c) NOT TO REVEAL OR PUBLISH IT IN WHOLE OR PART
(d) ALL RIGHTS RESERVED

TITLE						DRAWING NUMBER			REV.	
C3 2A 18P Cable End Female Lock						GT153224-21181-XX			A1	
	B	1:1	Joyce 04/07/11	Lucas 04/07/11	Ray 04/07/11	X.X ± 0.5 X.XX ± 0.2	X.XXX ± 0.05 ANGLES ± 1°	mm	1/1	
THIRD ANGLE PROJECTION	SIZE	SCALE	DRAW / DATE	CHECK / DATE	APPROVE / DATE	TOLERANCES		UNIT	SHEET	