

1

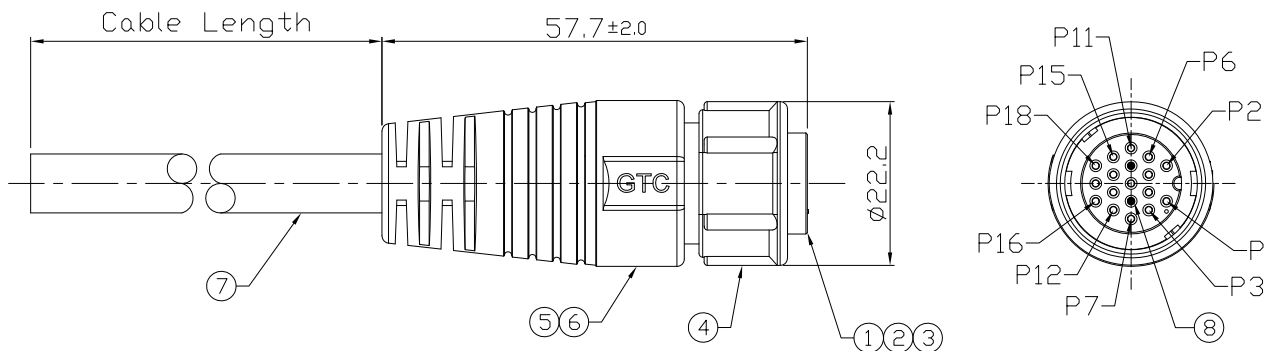
2

3

4

Notes: (Unless Otherwise Specified)  
 1. Waterproof Rate: IP67.  
 2. RoHS Compliant.

REV	ECN#	DESCRIPTION OF REVISION	DRAW BY DATE	CHECK BY DATE	APPROVE BY DATE
A0	ECN-150619	Modify Drawing Number GT153224-01161-XX -> GT153224-21161-XX	Joyce 06/30/15	Lucas 06/30/15	Ray 06/30/15



GT153224-21161-10	10000 mm	±500
GT153224-21161-09	9000 mm	±450
GT153224-21161-08	8000 mm	±400
GT153224-21161-07	7000 mm	±150
GT153224-21161-06	6000 mm	±150
GT153224-21161-05	5000 mm	±150
GT153224-21161-04	4000 mm	±150
GT153224-21161-03	3000 mm	±150
GT153224-21161-02	2000 mm	±100
GT153224-21161-01	1000 mm	±50
GT153224-21161-Z9	900 mm	±40
GT153224-21161-Z8	800 mm	±40
GT153224-21161-Z7	700 mm	±40
GT153224-21161-Z6	600 mm	±40
GT153224-21161-Z5	500 mm	±40
GT153224-21161-Z4	400 mm	±20
GT153224-21161-Z3	300 mm	±20
GT153224-21161-Z2	200 mm	±10
GT153224-21161-Z1	100 mm	±10
Part No.	Cable Length	Tol.

1	Brown
2	Blue
3	White
4	Green
5	Yellow
6	Gray
7	Pink
8	N/C
9	Black
10	N/C
11	Violet
12	Light Green
13	Black/White
14	Brown/White
15	Red/White
16	Orange/White
17	Green/White
18	Blue/White
	Drain

Wiring Diagram

GTC  
 DOC.CENTER.ISSUE  
 JUN.30.2015  
 ONLY FOR  
 RELEASE

8	Gland Pin	Thermoplastic Color: Black	2
7	Cable	UL2464 24AWG*18C+D+AL/My Color: Black, OD=8.0mm	1
6	Over Mold	PVC Color: Black	1
5	Inner Mold	Thermoplastic Color: White	1
4	Lock Nut	Thermoplastic Color: Black	1
3	Contacts	Copper Alloy Finish: Au Plated	16
2	O-Ring	Silicone Color: Red	1
1	Housing	Thermoplastic Color: Black	1
Item	Part Name	Material / Finish	Q'ty

TITLE						DRAWING NUMBER			REV.	
C3 2A 16P Cable End Female Lock						GT153224-21161-XX			A0	
	B	1:1	Lucas 09/30/14	Ray 09/30/14	Ray 09/30/14	X.X ± 0.5 X.XX ± 0.2	X.XXX ± 0.05 ANGLES ± 1°	mm	1/1	
THIRD ANGLE PROJECTION	SIZE	SCALE	DRAW / DATE	CHECK / DATE	APPROVE / DATE	TOLERANCES		UNIT	SHEET	

GT Contact CO.,LTD

NOTICE OF PROPRIETARY PROPERTY:  
 THE INFORMATION CONTAINED HEREIN IS THE PROPRIETARY PROPERTY OF GT Contact CO.,LTD THE POSSESSOR AGREES TO THE FOLLOWING:  
 (1) TO MAINTAIN THIS DOCUMENT IN CONFIDENCE  
 (2) NOT TO REPRODUCE OR COPY IT  
 (3) NOT TO REVEAL OR PUBLISH IT IN WHOLE OR PART  
 (4) ALL RIGHTS RESERVED

1

2

3

4