

1

2

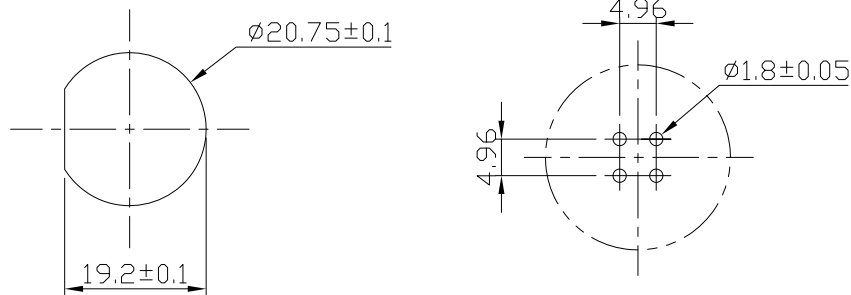
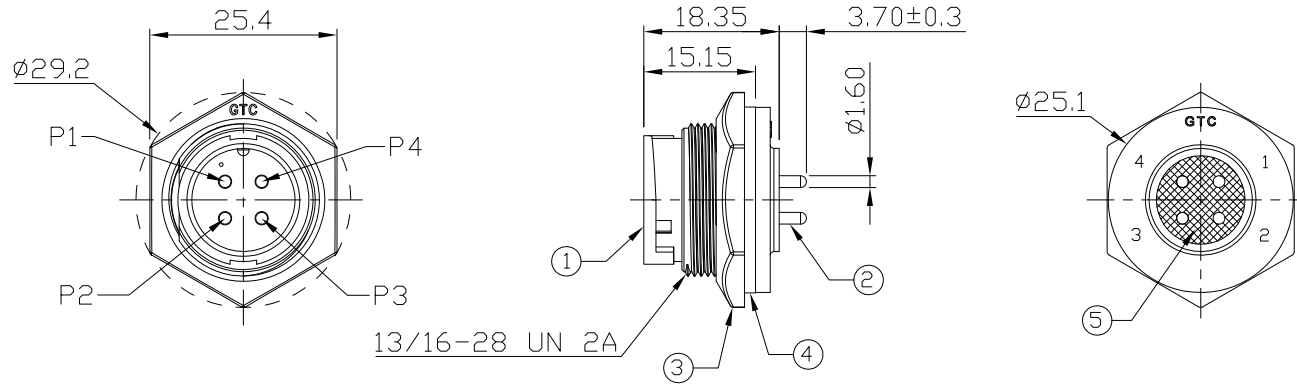
3

4

Notes: (Unless Otherwise Specified)

- 1. Waterproof Rate: IP67.
- 2. Recommend Panel Thickness: 0.8 to 3.0 mm.
- 3. Recommend Torque: 14~15 Kgf-cm.
- 4. Mating Cap P/N: GT1C5321X2.
- 5. RoHS Compliant.

REV	ECN#	DESCRIPTION OF REVISION	DRAW BY DATE	CHECK BY DATE	APPROVE BY DATE
A0			Hank 08/28/23	Hank 08/28/23	Lucas 08/28/23



Recommend Panel Cut-Out

Recommend PCB Layout



5	Glue	Epoxy Color: Black	
4	Gasket	Silicone Color: Black	1
3	Hex Nut	Thermoplastic Color: Black	1
2	Contacts	Copper Alloy Finish: Au Plated	4
1	Housing	Thermoplastic Color: Black	1
Item	Part Name	Material / Finish	Qty

TITLE						DRAWING NUMBER			REV.
C3 10A 4P Panel Male Dip Lock						GT153210-13040			A0
	B	1:1	Hank 08/28/23	Hank 08/28/23	Lucas 08/28/23	X.X ± 0.5 X.XX ± 0.2	X.XXX ± 0.05 ANGLES ± 1°	mm	1/1
THIRD ANGLE PROJECTION	SIZE	SCALE	DRAW / DATE	CHECK / DATE	APPROVE / DATE	TOLERANCES		UNIT	SHEET

GT Contact CO.,LTD

NOTICE OF PROPRIETARY PROPERTY:
 THE INFORMATION CONTAINED HEREIN IS THE PROPRIETARY PROPERTY OF GT CONTACT CO.,LTD THE POSSESSOR AGREES TO THE FOLLOWING:
 (i) TO MAINTAIN THIS DOCUMENT IN CONFIDENCE
 (ii) NOT TO REPRODUCE OR COPY IT
 (iii) NOT TO REVEAL OR PUBLISH IT IN WHOLE OR PART
 (iv) ALL RIGHTS RESERVED

1

2

3

4