

1

2

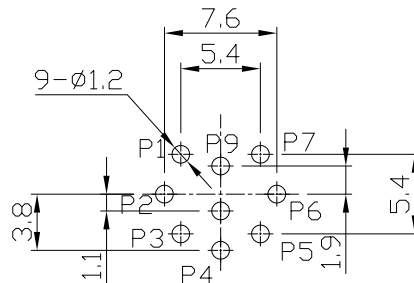
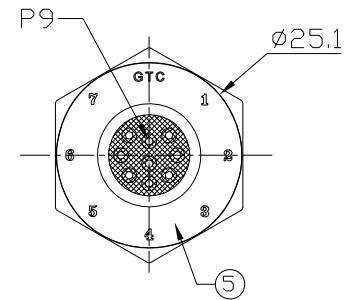
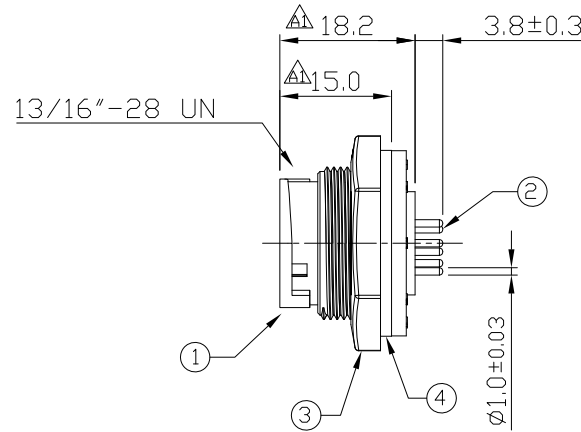
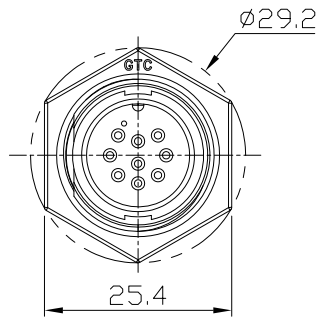
3

4

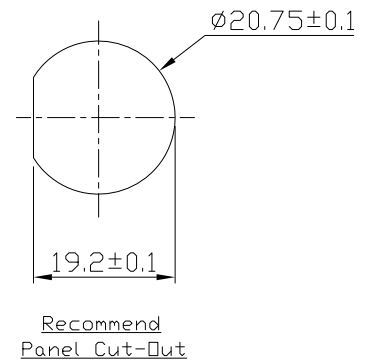
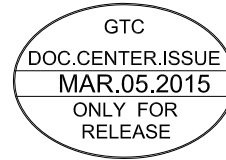
Notes: (Unless Otherwise Specified)

- 1. Waterproof Rate : IP67.
- 2. Recommend Panel Thickness: 0.8 to 4.0 mm.
- 3. Recommend Torque: 14.0~15.0 Kgf-cm.
- 4. Mating Cap P/N: GT1C5321X2
- 5. RoHS Compliant.

| REV | ECN# | DESCRIPTION OF REVISION | DRAW BY DATE | CHECK BY DATE | APPROVE BY DATE |
|-----|------------|-------------------------|-------------------|-------------------|-----------------|
| A1 | ECN-150206 | Design changes | Lucas 03/05/15 | Lucas 03/05/15 | Ray 03/05/15 |



PCB Layout
Component Side
Scale 2:1
All Tol. Are ±0.05



| Item | Part Name | Material/Finish | Q'ty |
|------|-----------|-----------------------------------|------|
| 5 | Glue | Epoxy Color: Black | |
| 4 | Gasket | Silicone Color: Black | 1 |
| 3 | Hex Nut | Thermoplastic Color: Black | 1 |
| 2 | Contacts | Copper Alloy Finish: Au Plated | 9 |
| 1 | Housing | Thermoplastic Color: Black | 1 |

| TITLE | | | | | | DRAWING NUMBER | | | REV. |
|------------------------------|------|-------|-------------|--------------|----------------|-------------------------|-----------------------------|------|-------|
| C3 5A 9P Panel Male Dip Lock | | | | | | GT153210-12090 | | | A1 |
| THIRD ANGLE PROJECTION | SIZE | SCALE | DRAW / DATE | CHECK / DATE | APPROVE / DATE | X.X ± 0.5 X.XX ± 0.2 | X.XXX ± 0.05 ANGLES ± 1° | mm | 1/1 |
| | | | | | | TOLERANCES | | UNIT | SHEET |

GT Contact CO.,LTD

NOTICE OF PROPRIETARY PROPERTY:
THE INFORMATION CONTAINED HEREIN IS THE PROPRIETARY PROPERTY OF GT Contact CO.,LTD THE POSSESSOR AGREES TO THE FOLLOWING:
(a) TO MAINTAIN THIS DOCUMENT IN CONFIDENCE
(b) NOT TO REPRODUCE OR COPY IT
(c) NOT TO REVEAL OR PUBLISH IT IN WHOLE OR PART
(d) ALL RIGHTS RESERVED

1

2

3

4