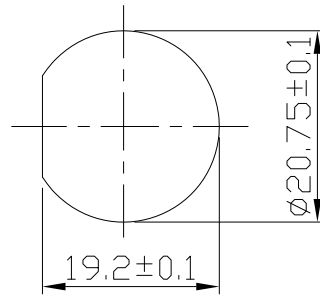
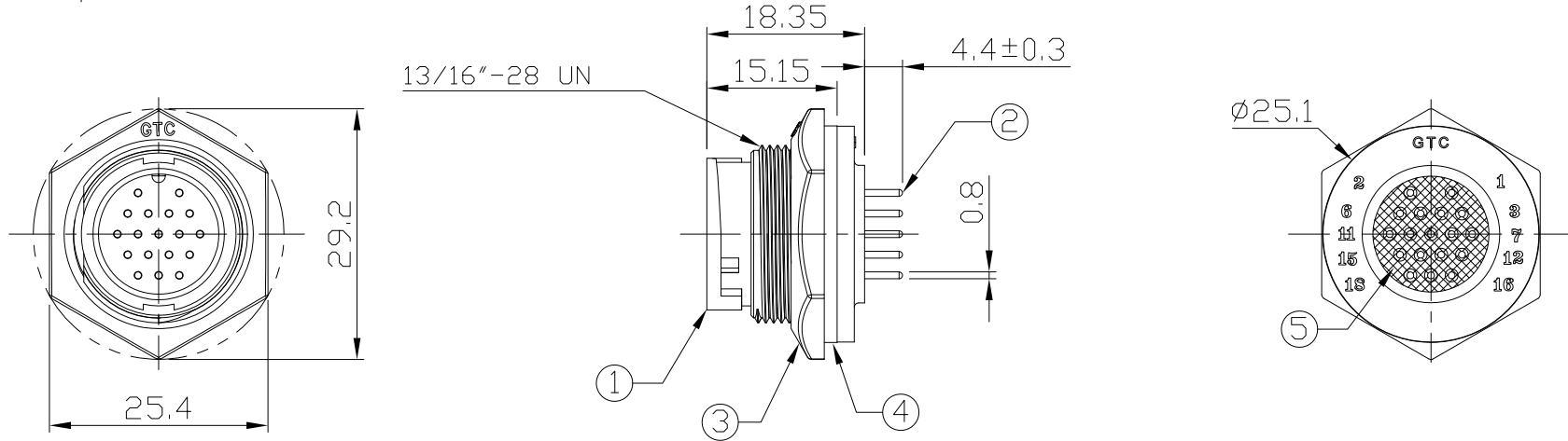


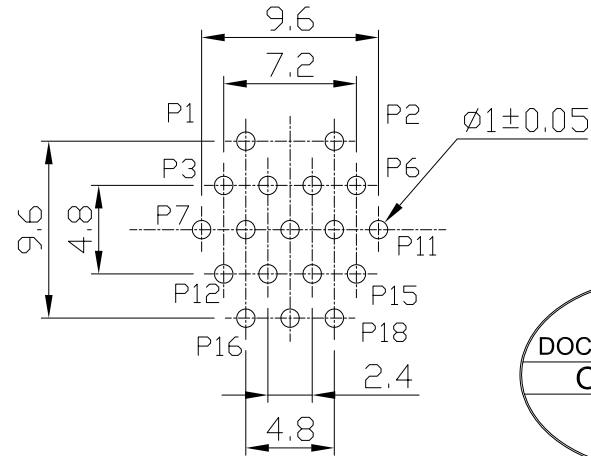
Notes: (Unless Otherwise Specified)

1. Waterproof Rate: IP67.
2. Recommend Panel Thickness: 0.8 to 4.0 mm.
3. Recommend Torque: 14~15 Kgf-cm.
4. Mating Cap P/N: GT1C5321X2.
5. RoHS Compliant.

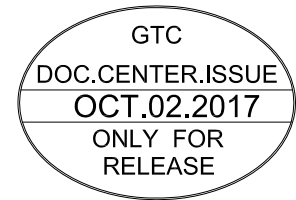
REV	ECN#	DESCRIPTION OF REVISION	DRAW BY DATE	CHECK BY DATE	APPROVE BY DATE
A0		Mass Production	Viola 09/11/17	Lucas 09/11/17	Ray 09/11/17



Recommend  
Panel Cut-Out



PCB Lay-Out  
Scale 2/1



Item	Part Name	Material / Finish	Q'ty
5	Glue	Epoxy Color: Black	
4	Gasket	Silicone Color: Black	1
3	Hex Nut	Thermoplastic Color: Black	1
2	Contacts	Copper Alloy Finish: Au Plated	18
1	Housing	Thermoplastic Color: Black	1

TITLE						DRAWING NUMBER			REV.
C3 2A 18P Panel Male Dip Lock						GT153210-11180			A0
	B	1:1	Viola 09/11/17	Lucas 09/11/17	Ray 09/11/17	X.X ± 0.5 X.XX ± 0.2	X.XXX ± 0.05 ANGLES ± 1°	mm	1/1
THIRD ANGLE PROJECTION	SIZE	SCALE	DRAW / DATE	CHECK / DATE	APPROVE / DATE	TOLERANCES		UNIT	SHEET

GT Contact CO.,LTD

NOTICE OF PROPRIETARY PROPERTY:  
THE INFORMATION CONTAINED HEREIN IS THE PROPRIETARY PROPERTY OF GT Contact CO.,LTD THE POSSESSOR AGREES TO THE FOLLOWING:  
(1) TO MAINTAIN THIS DOCUMENT IN CONFIDENCE  
(2) NOT TO REPRODUCE OR COPY IT  
(3) NOT TO REVEAL OR PUBLISH IT IN WHOLE OR PART  
(4) ALL RIGHTS RESERVED