

1

2

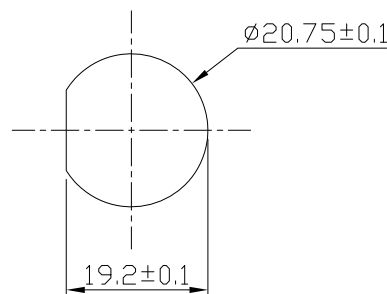
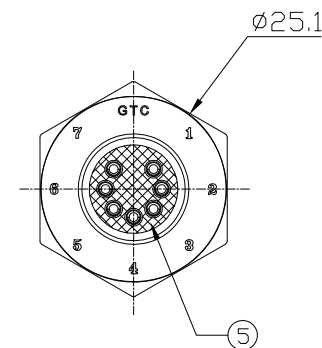
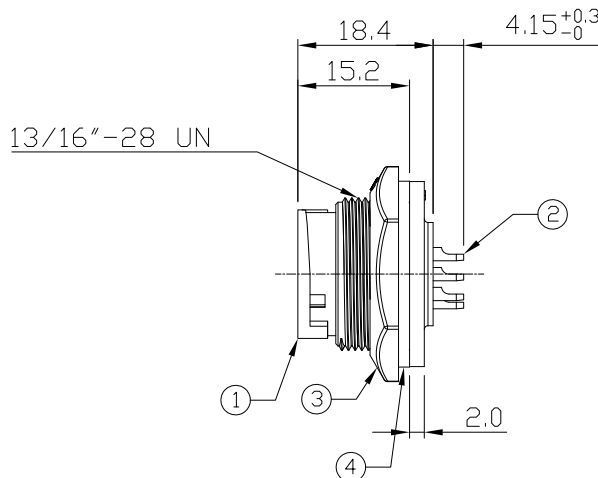
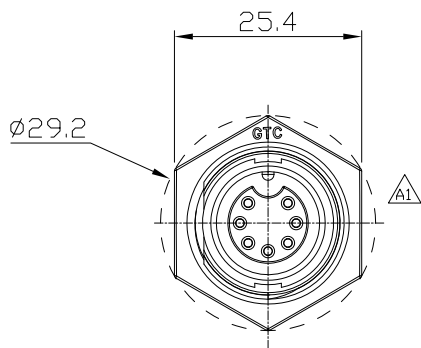
3

4

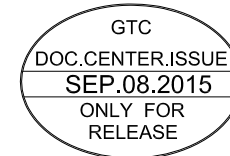
Notes: (Unless Otherwise Specified)

- 1. Waterproof Rate: IP67.
- 2. Recommend Panel Thickness: 0.8 to 4.0 mm.
- 3. Recommend Torque: 14.0~15.0 Kgf-cm.
- 4. Mating Cap P/N: GT1C5321X2.
- 5. RoHS Compliant.

REV	ECN#	DESCRIPTION OF REVISION	DRAW BY DATE	CHECK BY DATE	APPROVE BY DATE
A0		Mass Production	Lucas 07/10/12	Ray 07/10/12	Ray 07/10/12
A1	ECN-150811	Modify Housing Type 9Pin -> 7Pin $\Delta$ 1	Joyce 08/19/15	Lucas 08/19/15	Ray 08/19/15



Recommend Panel Cut-Out



5	Glue	Epoxy Color: Black	
4	Gasket	Silicone Color: Black	1
3	Hex Nut	Thermoplastic Color: Black	1
2	Contacts	Copper Alloy Finish: Au Plated	7
1	Housing	Thermoplastic Color: Black	1
Item	Part Name	Material/Finish	Q'ty

TITLE						DRAWING NUMBER			REV.
C3 5A 7P Panel Female Solder Lock						GT153200-02070			A1
	B	1:1	Lucas 07/10/12	Ray 07/10/12	Ray 07/10/12	X.X ± 0.5 X.XX ± 0.2	X.XXX ± 0.05 ANGLES ± 1°	mm	1/1
THIRD ANGLE PROJECTION	SIZE	SCALE	DRAW / DATE	CHECK / DATE	APPROVE / DATE	TOLERANCES		UNIT	SHEET

GT Contact CO.,LTD

NOTICE OF PROPRIETARY PROPERTY:

THE INFORMATION CONTAINED HEREIN IS THE PROPRIETARY PROPERTY OF GT Contact CO.,LTD THE POSSESSOR AGREES TO THE FOLLOWING:

- (i) TO MAINTAIN THIS DOCUMENT IN CONFIDENCE
- (ii) NOT TO REPRODUCE OR COPY IT
- (iii) NOT TO REVEAL OR PUBLISH IT IN WHOLE OR PART
- (iv) ALL RIGHTS RESERVED

1

2

3

4