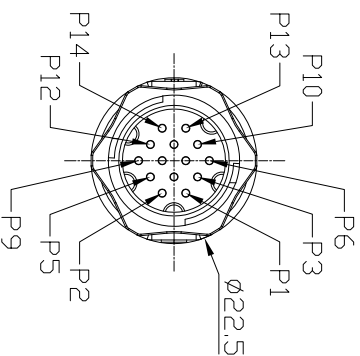
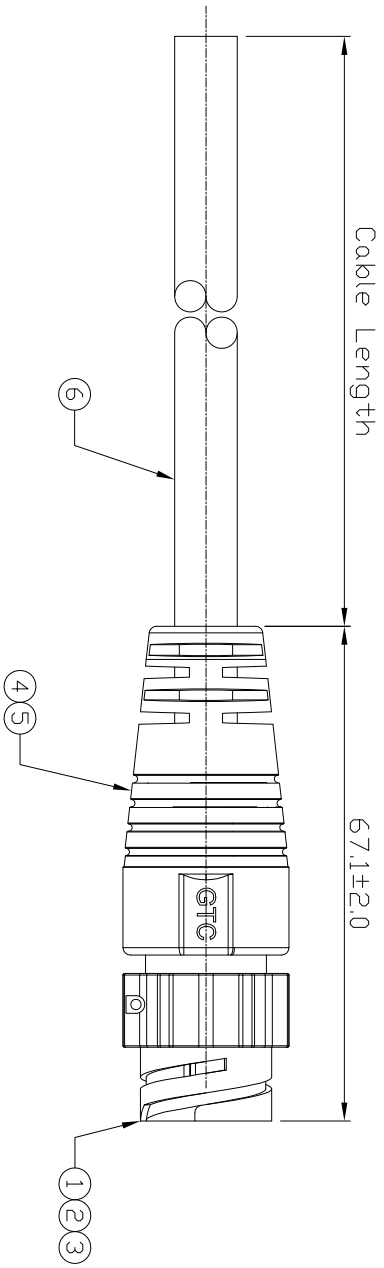


Notes: (Unless Otherwise Specified)  
 1. Waterproof Rate : IP69K.  
 2. RoHS Compliant.



Item	Part Name	Material/Finish	Qty
6	Cable	UL2661 14C*20AWG+T, OD=8.5mm Color: Black	1
5	Over Mold	PVC Color: Black	1
4	Inner Mold	Thermoplastic Color: White Or Black	1
3	Base	Thermoplastic Color: Black	1
2	Contacts	Copper Alloy Finish: Au Plated	14
1	Housing	Thermoplastic Color: Black	1

GTC  
 DOC.CENTERISSUE  
 MAY.16.2014  
 ONLY FOR  
 RELEASE

Color	Part No.	Cable Length	Tol.
Red	GT153154-22145-10	10000 mm	±500
Black/White	GT153154-22145-09	9000 mm	±450
Black	GT153154-22145-08	8000 mm	±400
Blue	GT153154-22145-07	7000 mm	±350
Violet	GT153154-22145-06	6000 mm	±300
Light Green	GT153154-22145-05	5000 mm	±250
Pink	GT153154-22145-04	4000 mm	±200
Green	GT153154-22145-03	3000 mm	±150
Yellow	GT153154-22145-02	2000 mm	±100
Grey	GT153154-22145-01	1000 mm	±50
Brown	GT153154-22145-29	900 mm	±40
White	GT153154-22145-28	800 mm	±40
Orange	GT153154-22145-27	700 mm	±40
Brown/White	GT153154-22145-26	600 mm	±40
	GT153154-22145-25	500 mm	±40
	GT153154-22145-24	400 mm	±40
	GT153154-22145-23	300 mm	±40

Wiring Diagram

C3 5A 14P Cable To Cable Male Twist Lock

TITLE	DRAWING NUMBER	REV.
C3 5A 14P Cable To Cable Male Twist Lock	GT153154-22145-XX	A0

GT Contact CD,LTID

NOTICE OF PROPRIETARY PROPERTY:  
 THE INFORMATION CONTAINED HEREIN IS THE PROPRIETARY PROPERTY OF GT CONTACT COLTD. THE POSSESSOR AGREES TO MAINTAIN THIS DOCUMENT IN CONFIDENCE AND NOT TO REPRODUCE, PUBLISH IT IN WHOLE OR PART (S) ALL RIGHTS RESERVED.

REV	ECN#	DESCRIPTION OF REVISION	DRAW BY DATE	CHECK BY DATE	APPROVE BY DATE
A0	ECN-140510	Mass Production	Lucas 05/16/14	Roy 05/16/14	Roy 05/16/14

THIRD ANGLE PROJECTION	SIZE	SCALE	DRAW / DATE	CHECK / DATE	APPROVE / DATE	TOLERANCES	UNIT	SHEET
1	B	1:1	Lucas 08/12/13	Roy 08/12/13	Roy 08/12/13	XX ± 0.5 XXX ± 0.2	mm	1/1