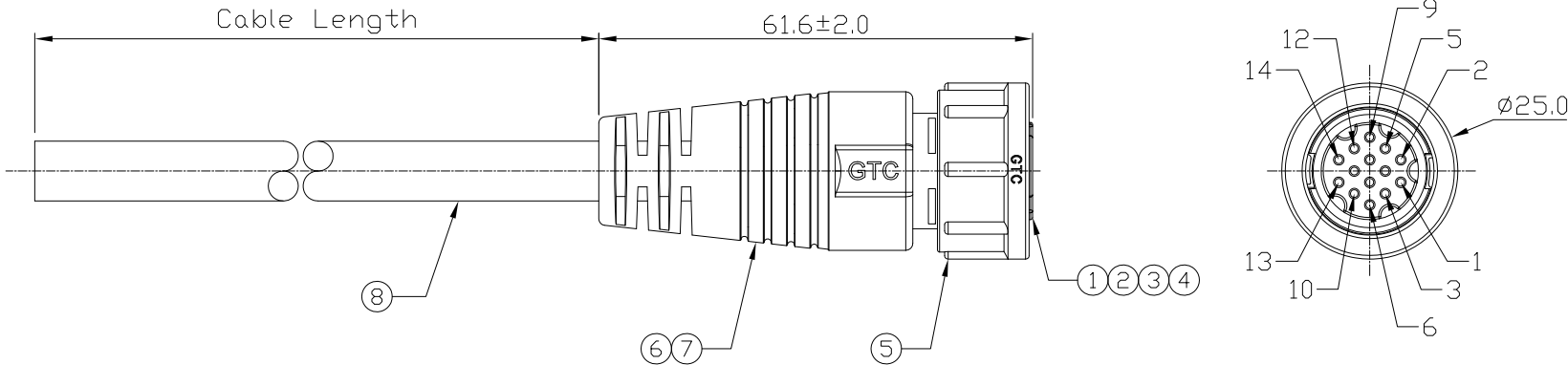


REV	ECN#	DESCRIPTION OF REVISION	DRAW BY DATE	CHECK BY DATE	APPROVE BY DATE
A0		Mass Production	Lucas 12/20/11	Ray 12/20/11	Ray 12/20/11

Notes: (Unless Otherwise Specified)

1. Waterproof Rate : IP69K.
2. RoHS Compliant.



8	Cable	UL2661 14C*20AWG+T OD=8.5mm Color: Black	1
7	Over Mold	PVC Color: Black	1
6	Inner Mold	Thermoplastic Color: White Or Black	1
5	Twist Lock Nut	Thermoplastic Color: Black	1
4	Base	Thermoplastic Color: Black	1
3	O-ring	Silicone Color: Red	1
2	Contacts	Copper Alloy Finish: Au Plated	14
1	Housing	Thermoplastic Color: Black	1
Item	Part Name	Material/Finish	Q'ty

1	Red
2	Black/White
3	Black
4	Blue
5	Violet
6	Light Green
7	Pink
8	Green
9	Yellow
10	Gray
11	Brown
12	White
13	Orange
14	Brown/White

GT153124-22145-10(F)	10000 mm	±500
GT153124-22145-09(F)	9000 mm	±450
GT153124-22145-08(F)	8000 mm	±400
GT153124-22145-07(F)	7000 mm	±350
GT153124-22145-06(F)	6000 mm	±300
GT153124-22145-05(F)	5000 mm	±250
GT153124-22145-04(F)	4000 mm	±200
GT153124-22145-03(F)	3000 mm	±150
GT153124-22145-02(F)	2000 mm	±100
GT153124-22145-01(F)	1000 mm	±50
GT153124-22145-Z9(F)	900 mm	±40
GT153124-22145-Z8(F)	800 mm	±40
GT153124-22145-Z7(F)	700 mm	±40
GT153124-22145-Z6(F)	600 mm	±40
GT153124-22145-Z5(F)	500 mm	±40
GT153124-22145-Z4(F)	400 mm	±40
GT153124-22145-Z3(F)	300 mm	±40
Part No.	Cable Length	Tol.

Wiring Diagram

GT Contact CO.,LTD

NOTICE OF PROPRIETARY PROPERTY:
THE INFORMATION CONTAINED HEREIN IS THE PROPRIETARY PROPERTY OF GT Contact CO.,LTD THE POSSESSOR AGREES TO THE FOLLOWING:
(i) TO MAINTAIN THIS DOCUMENT IN CONFIDENCE
(ii) NOT TO REPRODUCE OR COPY IT
(iii) NOT TO REVEAL OR PUBLISH IT IN WHOLE OR PART
(iv) ALL RIGHTS RESERVED

TITLE C3 5A 14P Cable End Female Twist Lock						DRAWING NUMBER GT153124-22145-XX(F)			REV. A0	
THIRD ANGLE PROJECTION		SIZE B	SCALE 1:1	DRAW / DATE Lucas 12/20/11	CHECK / DATE Ray 12/20/11	APPROVE / DATE Ray 12/20/11	TOLERANCES X.X ± 0.5 X.XX ± 0.2		UNIT mm	SHEET 1/1
THIRD ANGLE PROJECTION		SIZE	SCALE	DRAW / DATE	CHECK / DATE	APPROVE / DATE	TOLERANCES		UNIT	SHEET