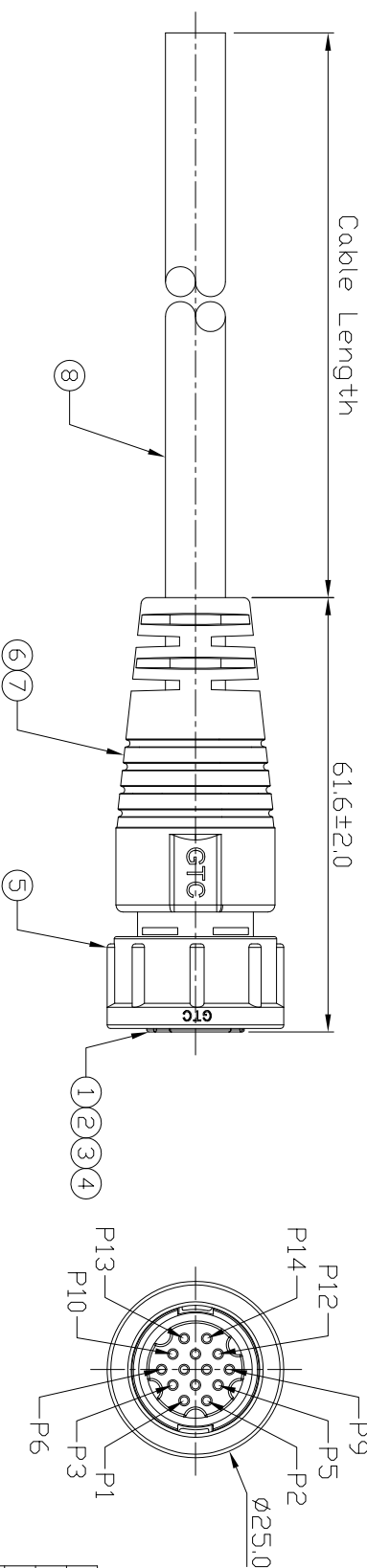


Notes: (Unless Otherwise Specified)
 1. Waterproof Rate: IP69K.
 2. RoHS Compliant.



REV	ECN#	DESCRIPTION OF REVISION	DRAW BY DATE	CHECK BY DATE	APPROVE BY DATE
01			Joyce 01/11/13	Lucas 01/11/13	Roy 01/11/13

Item	Part Name	Material/Finish	Qty
8	Cable	UL2464 24AWG*14C+D+AI/My DD=7.0mm, Color: Black	1
7	Dyer Mold	PVC Color: Black	1
6	Inner Mold	Thermoplastic Color: White Or Black	1
5	Twist Lock Nut	Thermoplastic Color: Black	1
4	Base	Thermoplastic Color: Black	1
3	D-ring	Silicone Color: Red	1
2	Contacts	Copper Alloy Finish: Au Plated	14
1	Housing	Thermoplastic Color: Black	1

GTC
 R&D DEPT. ISSUE
 JAN.14.2013
 ONLY FOR
 RELEASE

1	2	3	4	5	6	7	8	9	10	11	12	13	14
Brown	Blue	White	Green	Yellow	Gray	Pink	Red	Black	Orange	Violet	Light Green	Black/White	Brown/White

Part No.	Cable Length	Tol.
GT153124-22141-10	10000 mm	±500
GT153124-22141-09	9000 mm	±450
GT153124-22141-08	8000 mm	±400
GT153124-22141-07	7000 mm	±350
GT153124-22141-06	6000 mm	±300
GT153124-22141-05	5000 mm	±250
GT153124-22141-04	4000 mm	±200
GT153124-22141-03	3000 mm	±150
GT153124-22141-02	2000 mm	±100
GT153124-22141-01	1000 mm	±50
GT153124-22141-Z9	900 mm	±40
GT153124-22141-Z8	800 mm	±40
GT153124-22141-Z7	700 mm	±40
GT153124-22141-Z6	600 mm	±40
GT153124-22141-Z5	500 mm	±40
GT153124-22141-Z4	400 mm	±20
GT153124-22141-Z3	300 mm	±10
GT153124-22141-Z2	200 mm	±10

Wiring Diagram

TITLE C3 5A 14P Cable End Female Twist Lock

DD NOT SCALE DRAWINGS	SIZE	SCALE	DRAW / DATE	CHECK / DATE	APPROVE / DATE	DRAWING NUMBER	REV.
	B	1:1	Joyce 01/11/13	Lucas 01/11/13	Roy 01/11/13	GT153124-22141-XX	01
THIRD ANGLE PROJECTION						TOLERANCES	SHEET

GT Contact CD,LTID
 NOTICE OF PROPRIETARY PROPERTY
 THE INFORMATION CONTAINED HEREIN IS THE PROPRIETARY PROPERTY OF GT CONTACT CO.,LTD THE POSSESSOR AGREES TO MAINTAIN THIS INFORMATION IN CONFIDENCE AND NOT TO REVEAL OR PUBLISH IT IN WHOLE OR PART (S) ALL RIGHTS RESERVED

A

A

B

B

C

C

D

D

1

2

3

4

1

2

3

4