

1

2

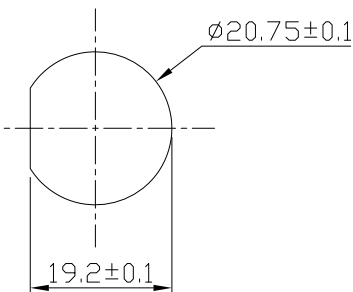
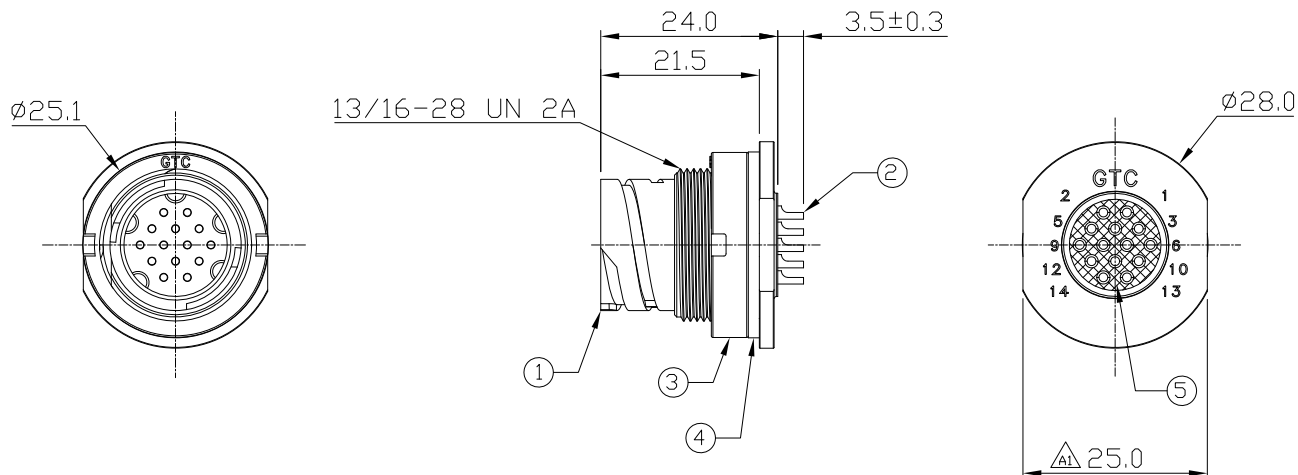
3

4

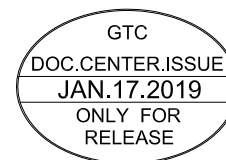
Notes: (Unless Otherwise Specified)

- 1. Waterproof Rate : IP69K.
- 2. Recommend Panel Thickness: 0.8 to 4.0 mm.
- 3. Recommend Torque: 14.0~15.0 Kgf-cm.
- 4. RoHS Compliant.

REV	ECN#	DESCRIPTION OF REVISION	DRAW BY DATE	CHECK BY DATE	APPROVE BY DATE
A1	ECN-190112	Change Housing Type	Lucas 01/17/19	Lucas 01/17/19	Ray 01/17/19



Recommend Panel Cut-Out



5	Glue	Epoxy Color: Black	
4	Gasket	Silicone Color: Black	1
3	Spanner Nut	Thermoplastic Color: Black	1
2	Contacts	Copper Alloy Finish: Au Plated	14
1	Housing	Thermoplastic Color: Black	1
Item	Part Name	Material/Finish	Q'ty

GT Contact CO.,LTD

NOTICE OF PROPRIETARY PROPERTY:
 THE INFORMATION CONTAINED HEREIN IS THE PROPRIETARY PROPERTY OF GT CONTACT CO.,LTD THE POSSESSOR AGREES TO THE FOLLOWING:
 (A) TO MAINTAIN THIS DOCUMENT IN CONFIDENCE
 (B) NOT TO REPRODUCE OR COPY IT
 (C) NOT TO REVEAL OR PUBLISH IT IN WHOLE OR PART
 (D) ALL RIGHTS RESERVED

TITLE						DRAWING NUMBER			REV.
C3 5A 14P Panel Male Solder Twist Lock Spanner Nut						GT153110-02140(S)			A1
	B	1:1	Lucas 07/12/13	Ray 07/12/13	Ray 07/12/13	X.X ± 0.5 X.XX ± 0.2	X.XXX ± 0.05 ANGLES ± 1°	mm	1/1
THIRD ANGLE PROJECTION	SIZE	SCALE	DRAW / DATE	CHECK / DATE	APPROVE / DATE	TOLERANCES		UNIT	SHEET

1

2

3

4