

1

2

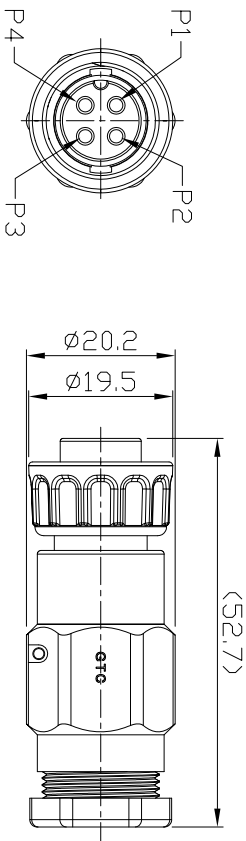
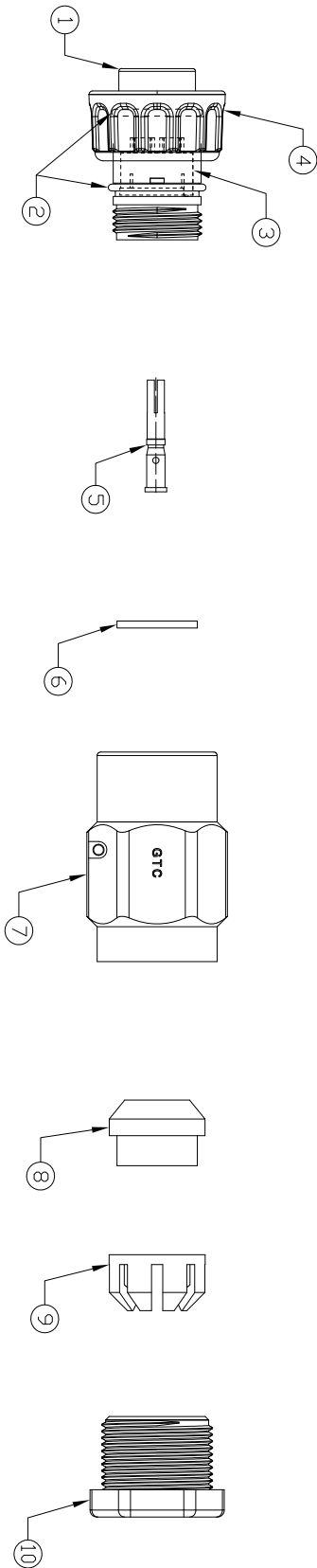
3

4

Notes: (Unless Otherwise Specified)

1. Waterproof Rate: IP67.
2. Recommend Cover Torque: 6~7 Kgf-cm.
3. Recommend Gland Nut Torque: 9~10 Kgf-cm.
4. Cable Diameter: 5.0mm To 6.0mm.
5. RoHS Compliant.

REV	ECN#	DESCRIPTION OF REVISION	DRAW BY DATE	CHECK BY DATE	APPROVE BY DATE
A0		Mass Production	Hank 04/18/14	Roy 04/18/14	Roy 04/18/14



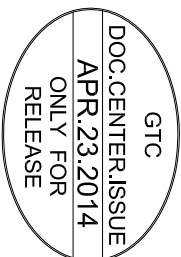
Pin Assignment

Item	Part Name	Material / Finish	Qty
10	Gland Nut	Thermoplastic Color: Black	1
9	Cage	Thermoplastic Color: White	1
8	Gland	Silicone Color: Green	1
7	Cover	Thermoplastic Color: Black	1
6	Gasket	Silicone Color: Black	1
5	Contacts	Copper Alloy Finish: Au Plated	4
4	Screw Nut	Thermoplastic Color: Black	1
3	Base	Thermoplastic Color: Black	1
2	D-Ring	Silicone Color: Red	2
1	Housing	Thermoplastic Color: Black	1

TITLE C2 10A 4P Field Installable Cable End Female Crimp Screw

DRAWING NUMBER G1152364-23040 REV. A0

THIRD ANGLE PROJECTION	SIZE	SCALE	DRAW / DATE	CHECK / DATE	APPROVE / DATE	TOLERANCES	UNIT	SHEET
1	B	1:1	Hank 04/18/14	Roy 04/18/14	Roy 04/18/14	XX ± 0.5 XXX ± 0.2	mm	1/1



GT Contact CD, LTD

NOTICE OF PROPRIETARY PROPERTY:  
THE INFORMATION CONTAINED HEREIN IS THE PROPRIETARY PROPERTY OF GT Contact CD, LTD. THE POSSESSOR AGREES TO MAINTAIN THIS DOCUMENT IN CONFIDENCE AND NOT TO REPRODUCE, PUBLISH IT IN WHOLE OR PART (S) ALL RIGHTS RESERVED