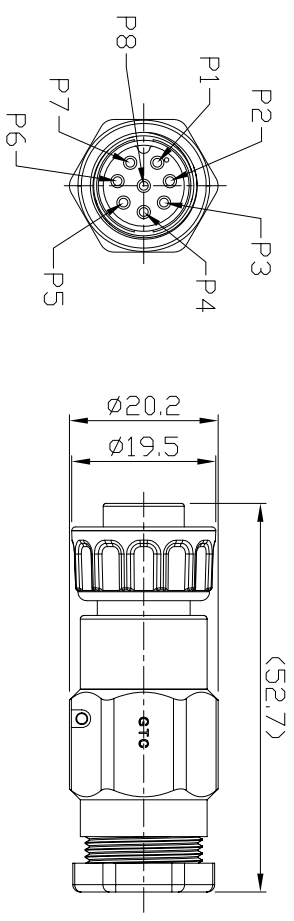
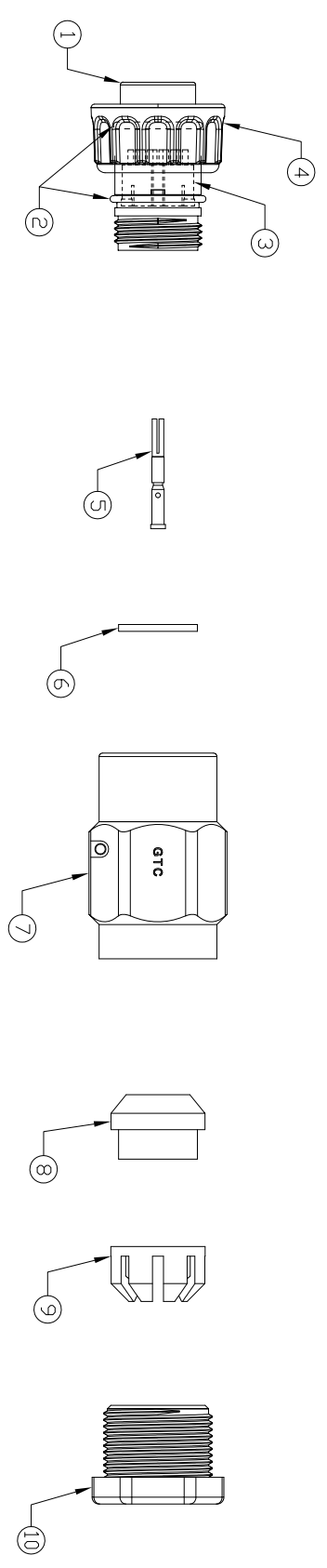


- Notes: (Unless Otherwise Specified)
1. Waterproof Rate: IP67.
  2. Recommend Cover Torque: 6~7 Kgf-cm.
  3. Recommend Gland Nut Torque: 9~10 Kgf-cm.
  4. Cable Diameter: 5.0mm To 6.0mm.
  5. RoHS Compliant.

REV	ECN#	DESCRIPTION OF REVISION	DRAW BY DATE	CHECK BY DATE	APPROVE BY DATE
A1			Lucas 08/01/12	Roy 08/01/12	Roy 08/01/12



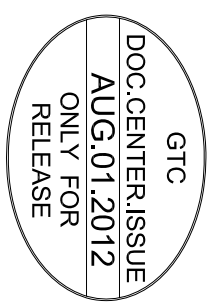
Pin Assignment

Item	Part Name	Material / Finish	Qty
10	Gland Nut	Thermoplastic Color: Black	1
9	Cage	Thermoplastic Color: White	1
8	Gland	Silicone Color: Green	1
7	Cover	Thermoplastic Color: Black	1
6	Gasket	Silicone Color: Black	1
5	Contacts	Copper Alloy Finish: Au Plated	8
4	Screw Nut	Thermoplastic Color: Black	1
3	Base	Thermoplastic Color: Black	1
2	D-Ring	Silicone Color: Red	2
1	Housing	Thermoplastic Color: Black	1

TITLE C2 5A 8P Field Installable Cable End Female Crimp Screw

DRAWING NUMBER G1152364-22080 REV. A1

THIRD ANGLE PROJECTION	SIZE	SCALE	DRAW / DATE	CHECK / DATE	APPROVE / DATE	TOLERANCES	UNIT	SHEET
1	B	1:1	Lucas 09/18/10	Roy 09/18/10	Roy 09/18/10	XX ± 0.5 XXX ± 0.2	mm	1/1



GT Contact CD, LTD  
 NOTICE OF PROPRIETARY PROPERTY:  
 THE INFORMATION CONTAINED HEREIN IS THE PROPRIETARY PROPERTY OF GT Contact CD, LTD. THE POSSESSOR AGREES TO MAINTAIN THIS DOCUMENT IN CONFIDENCE AND NOT TO REPRODUCE, PUBLISH IT IN WHOLE OR PART OR ALL RIGHTS RESERVED.