

4

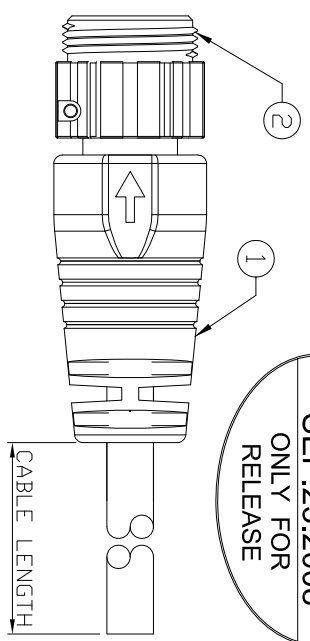
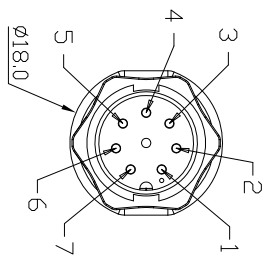
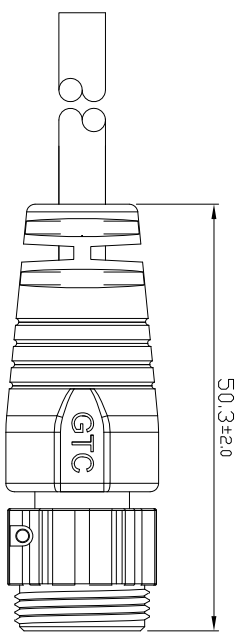
3

2

1

NOTES: (UNLESS OTHERWISE SPECIFIED)

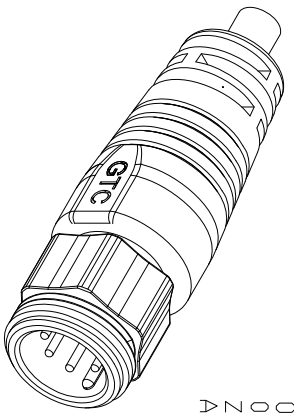
- 1. MATCHING MATES:
GT15232X-02081-XX
- 2. CABLE LENGTH TOLERANCE:
0 to 1M± 40 mm
1 to 10M± 5% mm
OVER 10 M± 500 mm



GTC
R&D DEPT. ISSUE
SEP.23.2008
ONLY FOR
RELEASE

ITEM	MATERIAL
1	THERMAL PLASTIC COLOR: BLACK
2	HOUSING: THERMAL PLASTIC UL94 V-0 COLOR: BLACK CONTACTS: COPPER ALLOY FINISH: GOLD

PART NO:GT152354-02081-XX



CABLE LENGTH
01: 1 M
02: 2 M
Z3: 30 CM
A0: 100 M

1	2	3	4	5	6	7	8
RED	YELLOW	GREEN	ORANGE	BLUE	BROWN	PURPLE	BLACK

WIRE DIAGRAM

REV	ECON#	DESCRIPTION OF REVISION	REV.
01		PRELIMINARY	01

METRIC		GT Contact CO,LTID	
DRAWER	DATE	NOTICE OF PROPRIETARY PROPERTY:	
KAREN	09/23/08	THE INFORMATION CONTAINED HEREIN IS THE PROPRIETARY PROPERTY OF GTC CONTACT CO. IT IS TO BE KEPT IN CONFIDENCE AND NOT TO BE REPRODUCED OR PUBLISHED IN WHOLE OR PART WITHOUT THE WRITTEN PERMISSION OF GTC CONTACT CO. ALL RIGHTS RESERVED.	
DESIGNER	DATE	© TO MAINTAIN THIS DOCUMENT IN CONFIDENCE	
ROBBIE	09/23/08	© NOT TO REPRODUCE OR PUBLISH IT	
		©V ALL RIGHTS RESERVED	

DIMENSIONS ARE IN MILLIMETER		TITLE	
XX	±0.5	C2 screw cable to cable female SA 8P	
X.XX	±0.20		
X.XXX	±0.05		
ANGLES	±0.5°		
DO NOT SCALE DRAWINGS		DRAWING NUMBER	
		GT152354-02081-XX	
		REV.	
		01	

THIRD ANGLE PROJECTION	SIZE	SCALE	SHT	OF
	B	1:1	1	1

4

3

2

A

B

C

D

A

B

C

D