

Notes: (Unless Otherwise Specified)

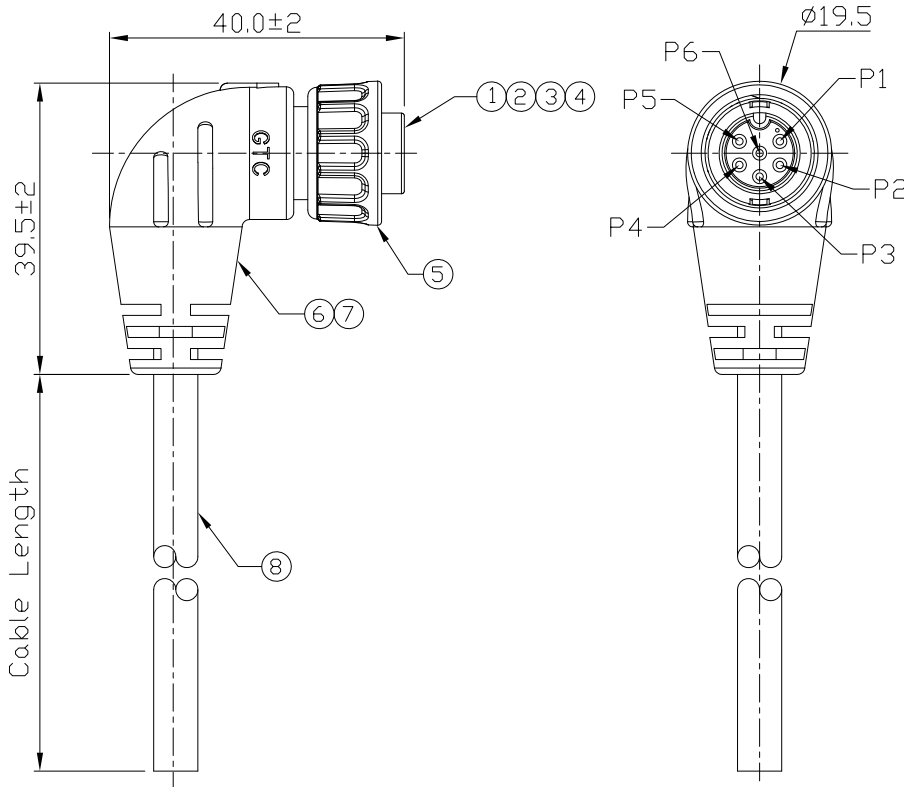
1. Waterproof Rate : IP67.
2. RoHS Compliant.

GTC
R&D DEPT. ISSUE
JUL.05.2013
ONLY FOR
RELEASE

REV	ECN#	DESCRIPTION OF REVISION	DRAW BY DATE	CHECK BY DATE	APPROVE BY DATE
01			Lucas 07/05/13	Ray 07/05/13	Ray 07/05/13

1	Red
2	Yellow
3	Green
4	Orange
5	Brown
6	Black
6	Drain

Wiring Diagram



GT152335-22061-10	10000 mm	±500
GT152335-22061-09	9000 mm	±450
GT152335-22061-08	8000 mm	±400
GT152335-22061-07	7000 mm	±150
GT152335-22061-06	6000 mm	±150
GT152335-22061-05	5000 mm	±150
GT152335-22061-04	4000 mm	±150
GT152335-22061-03	3000 mm	±150
GT152335-22061-02	2000 mm	±100
GT152335-22061-01	1000 mm	±50
GT152335-22061-Z9	900 mm	±40
GT152335-22061-Z8	800 mm	±40
GT152335-22061-Z7	700 mm	±40
GT152335-22061-Z6	600 mm	±40
GT152335-22061-Z5	500 mm	±40
GT152335-22061-Z4	400 mm	±20
GT152335-22061-Z3	300 mm	±20
GT152335-22061-Z2	200 mm	±10
Part No.	Cable Length	Tol.

Item	Part Name	Material / Finish	Q'ty
8	Cable	UL2464 24AWG*6C+Al/My+D, DD=5.5mm Color: Black	1
7	Over Mold	PVC Color: Black	1
6	Inner Mold	Thermoplastic Color: White or Black	1
5	Screw Nut	Thermoplastic Color: Black	1
4	Base	Thermoplastic Color: Black	1
3	O-Ring	Silicone Color: Red	1
2	Contacts	Copper Alloy Finish: Au Plated	6
1	Housing	Thermoplastic Color: Black	1

TITLE						DRAWING NUMBER			REV.	
C2 5A 6P Cable End 90° Male Screw						GT152335-22061-XX			01	
	B	1:1	Lucas 07/05/13	Ray 07/05/13	Ray 07/05/13	X.X ± 0.5 X.XX ± 0.2	X.XXX ± 0.05 ANGLES ± 1°	mm	1/1	
THIRD ANGLE PROJECTION	SIZE	SCALE	DRAW / DATE	CHECK / DATE	APPROVE / DATE	TOLERANCES		UNIT	SHEET	

GT Contact CO.,LTD

NOTICE OF PROPRIETARY PROPERTY:

THE INFORMATION CONTAINED HEREIN IS THE PROPRIETARY PROPERTY OF GT Contact CO.,LTD THE POSSESSOR AGREES TO THE FOLLOWING:

(a) TO MAINTAIN THIS DOCUMENT IN CONFIDENCE
 (b) NOT TO REPRODUCE OR COPY IT
 (c) NOT TO REVEAL OR PUBLISH IT IN WHOLE OR PART
 (d) ALL RIGHTS RESERVED