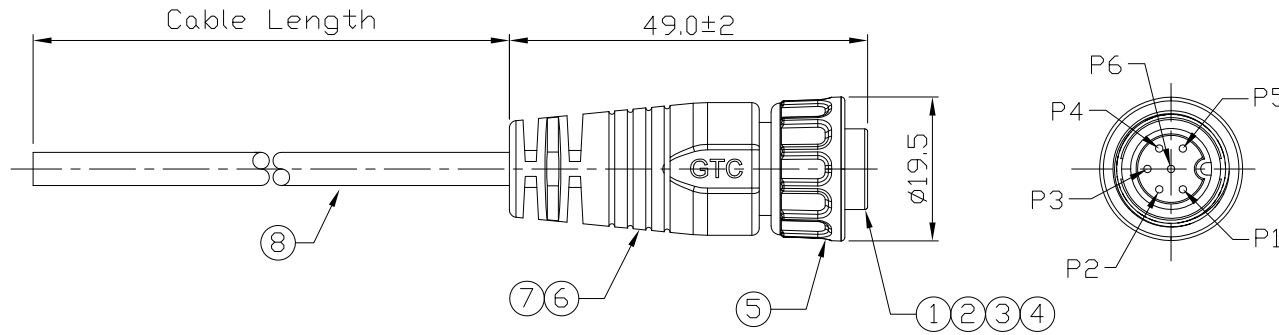


Notes: (Unless Otherwise Specified)  
 1. Waterproof Rate: IP67.  
 2. RoHS Compliant.

REV	ECN#	DESCRIPTION OF REVISION	DRAW BY DATE	CHECK BY DATE	APPROVE BY DATE
01			Jenny 02/23/23	Lucas 02/23/23	Ray 02/23/23



GTC  
 DOC.CENTER.ISSUE  
 FEB.24.2023  
 ONLY FOR  
 RELEASE

Item	Part Name	Material / Finish	Q'ty
8	Cable	UL2464 24AWG*6C+Al/My+D ØD=5.5mm, Color: Black	1
7	Over Mold	PVC Color: Black	1
6	Inner Mold	Thermal Plastic Color: Black or White	1
5	Screw Nut	Thermal Plastic Color: Black	1
4	Base	Thermal Plastic Color: Black	1
3	O-Ring	Silicone Color: Red	1
2	Contacts	Copper Alloy Finish: Au Plated	6
1	Housing	Thermoplastic Color: Black	1

Red	1
Yellow	2
Green	3
Orange	4
Brown	5
Black	6
Drain	

Wiring Diagram

GT152334-22061-10	10000 mm	+500
GT152334-22061-09	9000 mm	+450
GT152334-22061-08	8000 mm	+400
GT152334-22061-07	7000 mm	+150
GT152334-22061-06	6000 mm	+150
GT152334-22061-05	5000 mm	+150
GT152334-22061-04	4000 mm	+150
GT152334-22061-03	3000 mm	+100
GT152334-22061-02	2000 mm	+100
GT152334-22061-01	1000 mm	+50
GT152334-22061-Z9	900 mm	+50
GT152334-22061-Z8	800 mm	+50
GT152334-22061-Z7	700 mm	+50
GT152334-22061-Z6	600 mm	+50
GT152334-22061-Z5	500 mm	+50
GT152334-22061-Z4	400 mm	+50
GT152334-22061-Z3	300 mm	+25
GT152334-22061-Z2	200 mm	+25
Part No.	Cable Length	Tol.

GT Contact CO.,LTD

NOTICE OF PROPRIETARY PROPERTY:  
 THE INFORMATION CONTAINED HEREIN IS THE PROPRIETARY PROPERTY OF GT Contact CO.,LTD THE POSSESSOR AGREES TO THE FOLLOWING:  
 (a) TO MAINTAIN THIS DOCUMENT IN CONFIDENCE  
 (b) NOT TO REPRODUCE OR COPY IT  
 (c) NOT TO REVEAL OR PUBLISH IT IN WHOLE OR PART  
 (d) ALL RIGHTS RESERVED

TITLE						DRAWING NUMBER			REV.	
C2 5A 6P Cable End Male Screw With Cable						GT152334-22061-XX			01	
THIRD ANGLE PROJECTION	SIZE	SCALE	DRAW / DATE	CHECK / DATE	APPROVE / DATE	TOLERANCES		UNIT	SHEET	
THIRD ANGLE PROJECTION	B	1:1	Jenny 02/23/23	Lucas 02/23/23	Ray 02/23/23	X.X ± 0.5 X.XX ± 0.2	X.XXX ± 0.05 ANGLES ± 1°	mm	1/1	