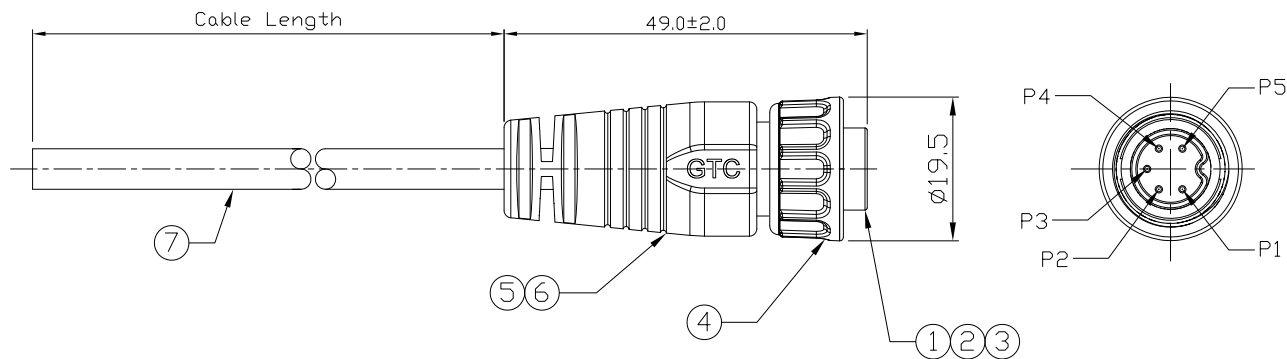


Notes: (Unless Otherwise Specified)
 1. Waterproof Rate: IP67.
 2. RoHS Compliant.

REV	ECN#	DESCRIPTION OF REVISION	DRAW BY DATE	CHECK BY DATE	APPROVE BY DATE
A0		Mass Production	Karen 04/23/09	Robbie 04/23/09	Robbie 04/23/09
A1	ECN-150509	Cancel Base & Gland Pin	Joyce 05/14/15	Lucas 05/14/15	Ray 05/14/15

GTC
 DOC.CENTER.ISSUE
 MAY.15.2015
 ONLY FOR
 RELEASE



GT152334-22051-10	10000 mm	±500
GT152334-22051-09	9000 mm	±450
GT152334-22051-08	8000 mm	±400
GT152334-22051-07	7000 mm	±150
GT152334-22051-06	6000 mm	±150
GT152334-22051-05	5000 mm	±150
GT152334-22051-04	4000 mm	±150
GT152334-22051-03	3000 mm	±150
GT152334-22051-02	2000 mm	±100
GT152334-22051-01	1000 mm	±50
GT152334-22051-Z9	900 mm	±40
GT152334-22051-Z8	800 mm	±40
GT152334-22051-Z7	700 mm	±40
GT152334-22051-Z6	600 mm	±40
GT152334-22051-Z5	500 mm	±40
GT152334-22051-Z4	400 mm	±20
GT152334-22051-Z3	300 mm	±20
GT152334-22051-Z2	200 mm	±10

1	Black
2	Brown
3	Red
4	Orange
5	Yellow

Wiring Diagram

7	Cable	UL2464 24AWG*5C+Al/My+D Color: Black, OD=5.0mm	1
6	Over Mold	PVC Color: Black	1
5	Inner Mold	Thermoplastic Color: Black or White	1
4	Screw Nut	Thermoplastic Color: Black	1
3	O-Ring	Silicone Color: Red	1
2	Contacts	Copper Alloy Finish: Au Plated	5
1	Housing	Thermoplastic Color: Black	1
Item	Part Name	Material / Finish	Qty

Part No.	Cable Length	Tol.
GT Contact CO.,LTD		

NOTICE OF PROPRIETARY PROPERTY:
 THE INFORMATION CONTAINED HEREIN IS THE PROPRIETARY PROPERTY OF GT Contact CO.,LTD THE POSSESSOR AGREES TO THE FOLLOWING:
 (a) TO MAINTAIN THIS DOCUMENT IN CONFIDENCE
 (b) NOT TO REPRODUCE OR COPY IT
 (c) NOT TO REVEAL OR PUBLISH IT IN WHOLE OR PART
 (d) ALL RIGHTS RESERVED

TITLE						DRAWING NUMBER			REV.
C2 5A 5P Cable End Male Screw						GT152334-22051-XX			A1
	B	1:1	Karen 04/23/09	Robbie 04/23/09	Robbie 04/23/09	X.X ± 0.5 X.XX ± 0.2	X.XXX ± 0.05 ANGLES ± 1°	mm	1/1
THIRD ANGLE PROJECTION	SIZE	SCALE	DRAW / DATE	CHECK / DATE	APPROVE / DATE	TOLERANCES		UNIT	SHEET