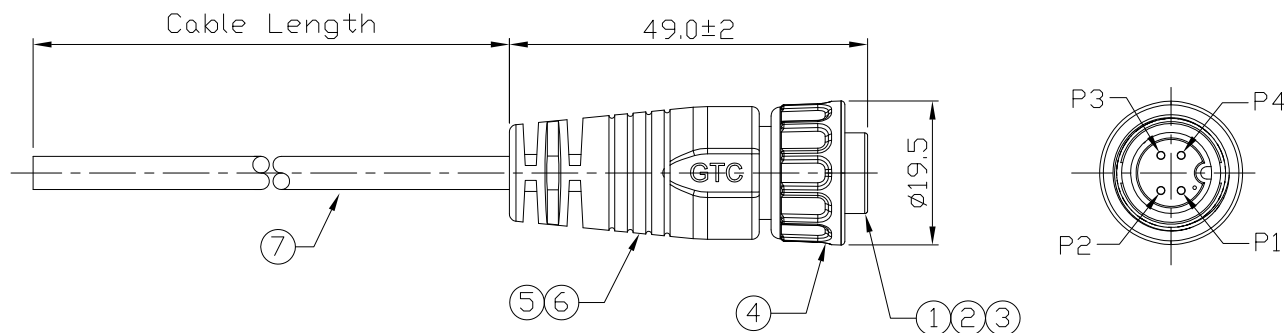


Notes: (Unless Otherwise Specified)
 1. Waterproof Rate: IP67.
 2. RoHS Compliant.

REV	ECN#	DESCRIPTION OF REVISION	DRAW BY DATE	CHECK BY DATE	APPROVE BY DATE
01			Jenny 02/23/23	Lucas 02/23/23	Ray 02/23/23

GTC
 DOC.CENTER.ISSUE
 FEB.24.2023
 ONLY FOR
 RELEASE



GT152334-22041-10	10000 mm	+500
GT152334-22041-09	9000 mm	+450
GT152334-22041-08	8000 mm	+400
GT152334-22041-07	7000 mm	+150
GT152334-22041-06	6000 mm	+150
GT152334-22041-05	5000 mm	+150
GT152334-22041-04	4000 mm	+150
GT152334-22041-03	3000 mm	+100
GT152334-22041-02	2000 mm	+100
GT152334-22041-01	1000 mm	+50
GT152334-22041-Z9	900 mm	+50
GT152334-22041-Z8	800 mm	+50
GT152334-22041-Z7	700 mm	+50
GT152334-22041-Z6	600 mm	+50
GT152334-22041-Z5	500 mm	+50
GT152334-22041-Z4	400 mm	+50
GT152334-22041-Z3	300 mm	+25
GT152334-22041-Z2	200 mm	+25
Part No.	Cable Length	Tol.

Black	1
Brown	2
Red	3
Orange	4
Drain	

Wiring Diagram

Item	Part Name	Material / Finish	Q'ty
7	Cable	UL2464 24AWG*4C+Al/My+D ØD=4.5mm, Color: Black	1
6	Over Mold	PVC Color: Black	1
5	Inner Mold	Thermoplastic Color: Black or White	1
4	Screw Nut	Thermoplastic Color: Black	1
3	O-Ring	Silicone Color: Red	1
2	Contacts	Copper Alloy Finish: Au Plated	4
1	Housing	Thermoplastic Color: Black	1

TITLE						DRAWING NUMBER			REV.	
C2 5A 4P Cable End Male Screw With Cable						GT152334-22041-XX			01	
THIRD ANGLE PROJECTION	SIZE	SCALE	DRAW / DATE	CHECK / DATE	APPROVE / DATE	TOLERANCES		UNIT	SHEET	
	B	1:1	Jenny 02/23/23	Lucas 02/23/23	Ray 02/23/23	X.X ± 0.5 X.XX ± 0.2	X.XXX ± 0.05 ANGLES ± 1°	mm	1/1	

GT Contact CO.,LTD

NOTICE OF PROPRIETARY PROPERTY:
 THE INFORMATION CONTAINED HEREIN IS THE PROPRIETARY PROPERTY OF GT Contact CO.,LTD THE POSSESSOR AGREES TO THE FOLLOWING:
 (a) TO MAINTAIN THIS DOCUMENT IN CONFIDENCE
 (b) NOT TO REPRODUCE OR COPY IT
 (c) NOT TO REVEAL OR PUBLISH IT IN WHOLE OR PART
 (d) ALL RIGHTS RESERVED