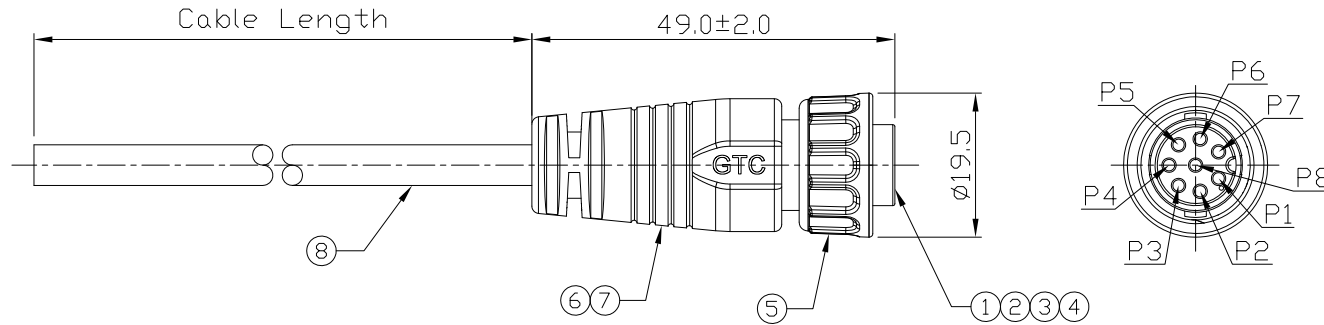


Notes: (Unless Otherwise Specified)
 1. Waterproof Rate: IP67.
 2. RoHS Compliant.

REV	ECN#	DESCRIPTION OF REVISION	DRAW BY DATE	CHECK BY DATE	APPROVE BY DATE
A0		Mass Production	Joyce 06/05/15	Lucas 06/05/15	Ray 06/05/15



GT152324-22081-10	10000 mm	±500
GT152324-22081-09	9000 mm	±450
GT152324-22081-08	8000 mm	±400
GT152324-22081-07	7000 mm	±150
GT152324-22081-06	6000 mm	±150
GT152324-22081-05	5000 mm	±150
GT152324-22081-04	4000 mm	±150
GT152324-22081-03	3000 mm	±150
GT152324-22081-02	2000 mm	±100
GT152324-22081-01	1000 mm	±50
GT152324-22081-Z9	900 mm	±40
GT152324-22081-Z8	800 mm	±40
GT152324-22081-Z7	700 mm	±40
GT152324-22081-Z6	600 mm	±40
GT152324-22081-Z5	500 mm	±40
GT152324-22081-Z4	400 mm	±20
GT152324-22081-Z3	300 mm	±20
GT152324-22081-Z2	200 mm	±10
Part No.	Cable Length	Tol.

8	Cable	UL2464 24AWG*8C+Al/My+D Color: Black, OD=5.5mm	1
7	Over Mold	PVC Color: Black	1
6	Inner Mold	Thermoplastic Color: White Or Black	1
5	Screw Nut	Thermoplastic Color: Black	1
4	Base	Thermoplastic Color: Black	1
3	O-Ring	Silicone Color: Red	1
2	Contacts	Copper Alloy Finish: Au Plated	8
1	Housing	Thermoplastic Color: Black	1
Item	Part Name	Material / Finish	Q'ty

1	Black
2	Brown
3	Orange
4	Yellow
5	Green
6	Blue
7	Violet
8	White
	Drain

GTC
 DOC.CENTER.ISSUE
 JUN.05.2015
 ONLY FOR
 RELEASE

Wiring Diagram

TITLE						DRAWING NUMBER			REV.
C2 5A 8P Cable End Female Screw With Cable						GT152324-22081-XX			A0
	B	1:1	Joyce 06/05/15	Lucas 06/05/15	Ray 06/05/15	X.X ± 0.5 X.XX ± 0.2	X.XXX ± 0.05 ANGLES ± 1°	mm	1/1
THIRD ANGLE PROJECTION	SIZE	SCALE	DRAW / DATE	CHECK / DATE	APPROVE / DATE	TOLERANCES		UNIT	SHEET

GT Contact CO.,LTD

NOTICE OF PROPRIETARY PROPERTY:
 THE INFORMATION CONTAINED HEREIN IS THE PROPRIETARY PROPERTY OF GT Contact CO.,LTD THE POSSESSOR AGREES TO THE FOLLOWING:
 (a) TO MAINTAIN THIS DOCUMENT IN CONFIDENCE
 (b) NOT TO REPRODUCE OR COPY IT
 (c) NOT TO REVEAL OR PUBLISH IT IN WHOLE OR PART
 (d) ALL RIGHTS RESERVED