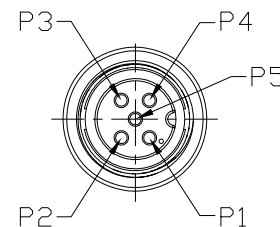
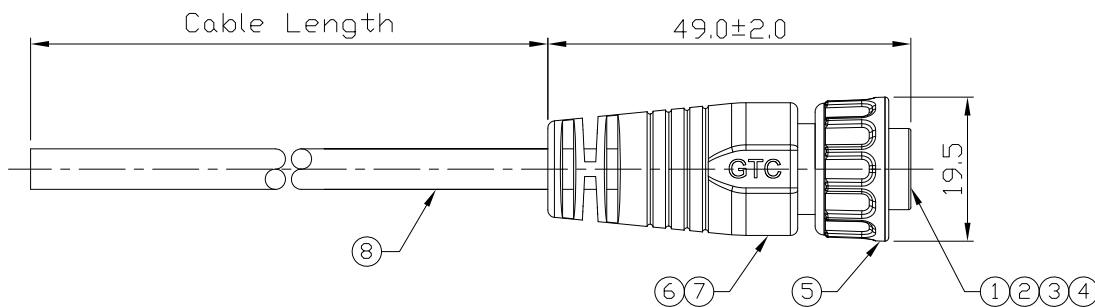


Notes: (Unless Otherwise Specified)
 1. Waterproof Rate: IP67.
 2. RoHS Compliant.

REV	ECN#	DESCRIPTION OF REVISION	DRAW BY DATE	CHECK BY DATE	APPROVE BY DATE
A0		Mass Production	Whitney 07/09/18	Lucas 07/09/18	Ray 07/09/18



Part No.	Cable Length	Tol.
GT152324-22051-10	10000 mm	±500
GT152324-22051-09	9000 mm	±450
GT152324-22051-08	8000 mm	±400
GT152324-22051-07	7000 mm	±150
GT152324-22051-06	6000 mm	±150
GT152324-22051-05	5000 mm	±150
GT152324-22051-04	4000 mm	±150
GT152324-22051-03	3000 mm	±150
GT152324-22051-02	2000 mm	±100
GT152324-22051-01	1000 mm	±50
GT152324-22051-Z9	900 mm	±40
GT152324-22051-Z8	800 mm	±40
GT152324-22051-Z7	700 mm	±40
GT152324-22051-Z6	600 mm	±40
GT152324-22051-Z5	500 mm	±40
GT152324-22051-Z4	400 mm	±20
GT152324-22051-Z3	300 mm	±20
GT152324-22051-Z2	200 mm	±10

Item	Part Name	Material / Finish	Q'ty
8	Cable	UL2464 24AWG*5C+D+Al/My ØD=5.0mm, Color: Black	1
7	Over Mold	PVC Color: Black	1
6	Inner Mold	Thermoplastic Color: White Or Black	1
5	Screw Nut	Thermoplastic Color: Black	1
4	O-Ring	Silicone Color: Red	1
3	Contacts	Copper Alloy Finish: Au Plated	5
2	Base	Thermoplastic Color: Black	1
1	Housing	Thermoplastic Color: Black	1

GTC
 DOC.CENTER.ISSUE
 JUL.10.2018
 ONLY FOR
 RELEASE

1	Black
2	Brown
3	Red
4	Orange
5	Yellow
	Drain

Wiring Diagram

GT Contact CO.,LTD

NOTICE OF PROPRIETARY PROPERTY:
 THE INFORMATION CONTAINED HEREIN IS THE PROPRIETARY PROPERTY OF GT Contact CO.,LTD THE POSSESSOR AGREES TO THE FOLLOWING:
 (a) TO MAINTAIN THIS DOCUMENT IN CONFIDENCE
 (b) NOT TO REPRODUCE OR COPY IT
 (c) NOT TO REVEAL OR PUBLISH IT IN WHOLE OR PART
 (d) ALL RIGHTS RESERVED

TITLE						DRAWING NUMBER			REV.	
C2 5A 5P Cable End Female Screw						GT152324-22051-XX			A0	
THIRD ANGLE PROJECTION	SIZE	SCALE	DRAW / DATE	CHECK / DATE	APPROVE / DATE	TOLERANCES		UNIT	SHEET	
	B	1:1	Whitney 07/09/18	Lucas 07/09/18	Ray 07/09/18	X.X ± 0.5 X.XX ± 0.2	X.XXX ± 0.05 ANGLES ± 1°	mm	1/1	