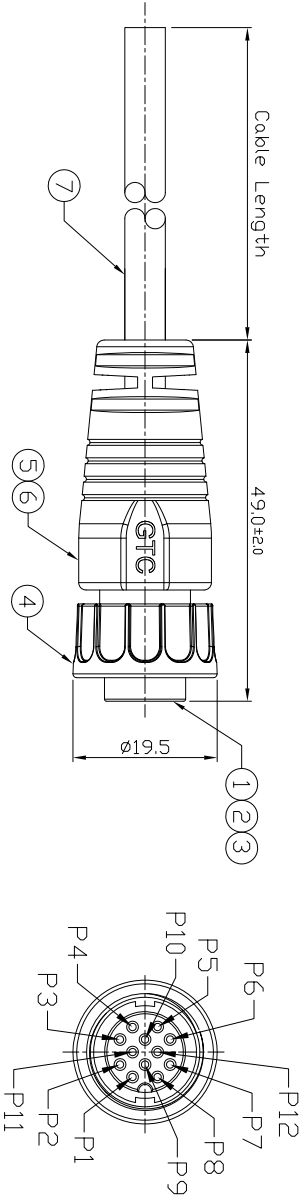


Notes: (Unless Otherwise Specified)
 1. Waterproof Rate: IP67.
 2. RoHS Compliant.

REV	ECN#	DESCRIPTION OF REVISION	DRAW BY DATE	CHECK BY DATE	APPROVE BY DATE
A0		Mass Production	Joyce 02/01/12	Lucas 02/01/12	Roy 02/01/12



Item	Part Name	Material / Finish	Qty
1	Cable	UL2464 26AWG*12C+D+Al/My (UV)	1
2	Over Mold	PVC Color: Black	1
3	Inner Mold	Thermoplastic Color: White or Black	1
4	Screw Nut	Thermoplastic Color: Black	1
5	D-Ring	Silicone Color: Red	1
6	Contacts	Copper Alloy Finish: Au Plated	12
7	Housing	Thermoplastic Color: Black	1

GTC
 DOC.CENTRISSUE
 FEB.02.2012
 ONLY FOR
 RELEASE

Wiring Diagram

Part No.	Cable Length	Tol.
GT152324-21121-10	10000 mm	±500
GT152324-21121-09	9000 mm	±450
GT152324-21121-08	8000 mm	±400
GT152324-21121-07	7000 mm	±350
GT152324-21121-06	6000 mm	±300
GT152324-21121-05	5000 mm	±250
GT152324-21121-04	4000 mm	±200
GT152324-21121-03	3000 mm	±150
GT152324-21121-02	2000 mm	±100
GT152324-21121-01	1000 mm	±50
GT152324-21121-29	900 mm	±40
GT152324-21121-28	800 mm	±40
GT152324-21121-27	700 mm	±40
GT152324-21121-26	600 mm	±40
GT152324-21121-25	500 mm	±40
GT152324-21121-24	400 mm	±20
GT152324-21121-23	300 mm	±10
GT152324-21121-22	200 mm	±10
GT152324-21121-21	100 mm	±10

C2 2A 12P Cable End Female Screw

TITLE	DRAWING NUMBER	REV.
C2 2A 12P Cable End Female Screw	GT152324-21121-XX	A0

DD NOT SCALE DRAWINGS	SIZE	SCALE	DRAW / DATE	CHECK / DATE	APPROVE / DATE	TOLERANCES	UNIT	SHEET
1	B	1:1	Edwin 03/08/10	Roy 03/08/10	Roy 03/08/10	XX ± 0.5 XXX ± 0.2	mm	1/1

GT Contact CD,LTID

NOTICE OF PROPRIETARY PROPERTY
 THE INFORMATION CONTAINED HEREIN IS THE PROPRIETARY PROPERTY OF GT Contact CO,LTID THE POSSESSOR AGREES TO MAINTAIN THIS DOCUMENT IN CONFIDENCE AND NOT TO REPRODUCE OR PUBLISH IT IN WHOLE OR PART (NO) ALL RIGHTS RESERVED