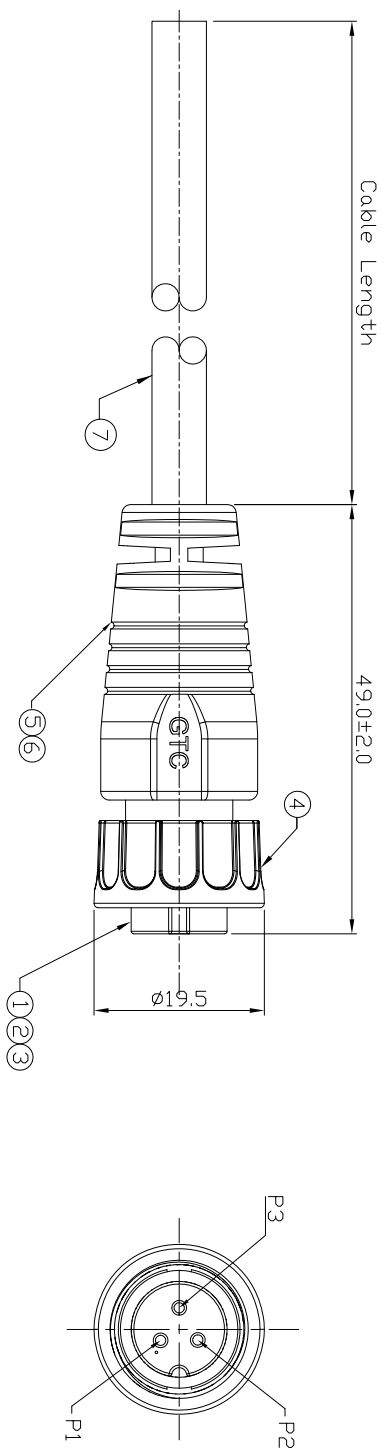


Notes: (unless otherwise specified)
 1. Waterproof Rate : IP67.
 2. RoHS Compliance.

REV	ECN#	DESCRIPTION OF REVISION	DRAW BY DATE	CHECK BY DATE	APPROVE BY DATE
01			James 07/11/11	Ray 07/11/11	Ray 07/11/11

GTC
 R&D DEPT. ISSUE
 JUL.21.2011
 ONLY FOR
 RELEASE



1	Black
2	Yellow
3	White

Wiring Diagram

Item	Part Name	Material / Finish	Qty
7	Cable	UL2464 16AWG*3C Cable, OD=6.1mm Color: Black	1
6	Over Mold	PVC Color: Black	1
5	Inner Mold	Thermal Plastic Color: Black	1
4	Lock Nut	Thermal Plastic Color: Black	1
3	O-Ring	Silicone Color: Red	1
2	Contacts	Copper Alloy Finish: Au Plated	3
1	Housing	Thermal Plastic Color: Black	1

TITLE	C2 10A 3P Cable End Female Screw		DRAWING NUMBER	GT152324-03031-XX	REV.	01
-------	----------------------------------	--	----------------	-------------------	------	----

DO NOT SCALE DRAWINGS	B	1:1	James 07/11/11	Ray 07/11/11	Ray 07/11/11	XX XXX	± 0.5 ± 0.2	XXXX ANGLES	± 0.05 ± 1°	mm	1/1
THIRD ANGLE PROJECTION	SIZE	SCALE	DRAW / DATE	CHECK / DATE	APPROVE / DATE	TOLERANCES	UNIT	SHEET			

Part No.	Cable Length	Tol.
GT152324-03031-10	10000 mm	±500
GT152324-03031-09	9000 mm	±450
GT152324-03031-08	8000 mm	±400
GT152324-03031-07	7000 mm	±350
GT152324-03031-06	6000 mm	±300
GT152324-03031-05	5000 mm	±250
GT152324-03031-04	4000 mm	±200
GT152324-03031-03	3000 mm	±150
GT152324-03031-02	2000 mm	±100
GT152324-03031-01	1000 mm	±50
GT152324-03031-Z5	500 mm	±40

GT Contact CD, LTD

NOTICE OF PROPRIETARY PROPERTY:
 THE INFORMATION CONTAINED HEREIN IS THE PROPRIETARY PROPERTY OF GT Contact CD, LTD. THE POSSESSOR AGREES TO THE FOLLOWING:
 (1) TO MAINTAIN THIS DOCUMENT IN CONFIDENCE
 (2) NOT TO REPRODUCE OR COPY IT
 (3) NOT TO REVEAL OR PUBLISH IT IN WHOLE OR PART
 (4) ALL RIGHTS RESERVED