

1

2

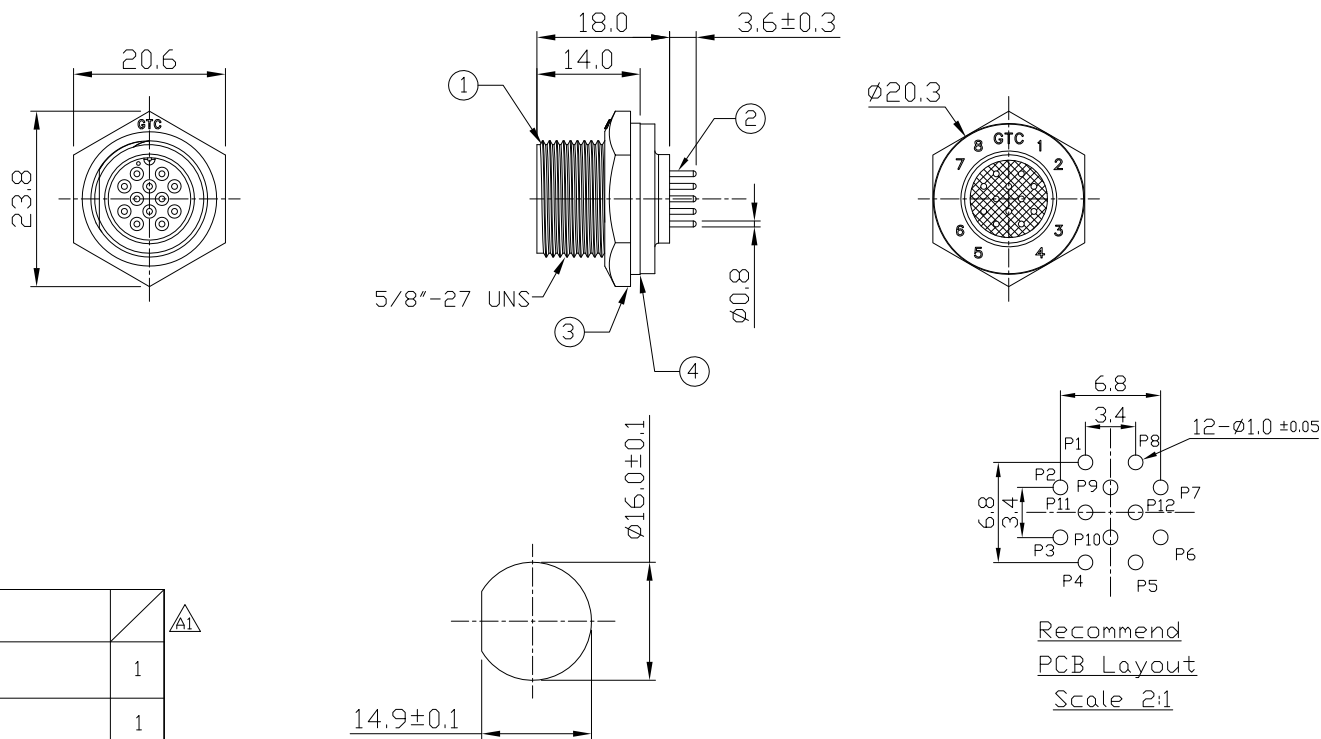
3

4

Notes: (Unless Otherwise Specified)

1. Waterproof Rate: IP67.
2. Recommend Panel Thickness: 0.8 to 4.0 mm.
3. Recommend Torque: 9~10 Kgf-cm.
4. Mating Cap P/N: GT1C5231X2.
5. RoHS Compliant.

REV	ECN#	DESCRIPTION OF REVISION	DRAW BY DATE	CHECK BY DATE	APPROVE BY DATE
A1	ECN-230612	Design changes	Lucas 06/17/23	Lucas 06/17/23	Ray 06/17/23



5	Glue	Epoxy Color: Black		△1
4	Gasket	Silicone Color: Black	1	
3	Hex Nut	Thermoplastic Color: Black	1	
2	Contacts	Copper Alloy Finish: Au Plated	12	
1	Housing	Thermoplastic Color: Black	1	
Item	Part Name	Material / Finish	Qty	

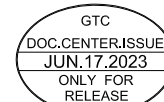
TITLE
C2 2A 12P Panel Male Dip Screw

DRAWING NUMBER
GT152310-11120

REV.
A1

THIRD ANGLE PROJECTION	SIZE	SCALE	DRAW / DATE	CHECK / DATE	APPROVE / DATE	TOLERANCES	UNIT	SHEET
 DO NOT SCALE DRAWINGS	B	1:1	Joyce 01/07/12	Lucas 01/07/12	Ray 01/07/12	X.X ± 0.5 X.XX ± 0.2	X.XXX ± 0.05 ANGLES ± 1°	mm 1/1

Recommend
PCB Layout
Scale 2:1



GT Contact CO.,LTD

NOTICE OF PROPRIETARY PROPERTY:
THE INFORMATION CONTAINED HEREIN IS THE PROPRIETARY PROPERTY OF GT Contact CO.,LTD THE POSSESSOR AGREES TO THE FOLLOWING:
(i) TO MAINTAIN THIS DOCUMENT IN CONFIDENCE
(ii) NOT TO REPRODUCE OR COPY IT
(iii) NOT TO REVEAL OR PUBLISH IT IN WHOLE OR PART
(iv) ALL RIGHTS RESERVED

1

2

3

4