

1

2

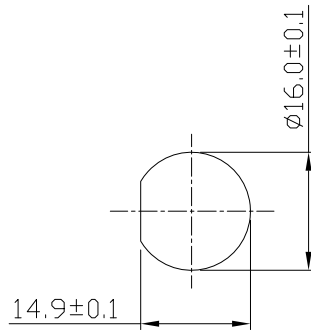
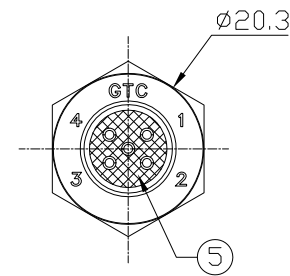
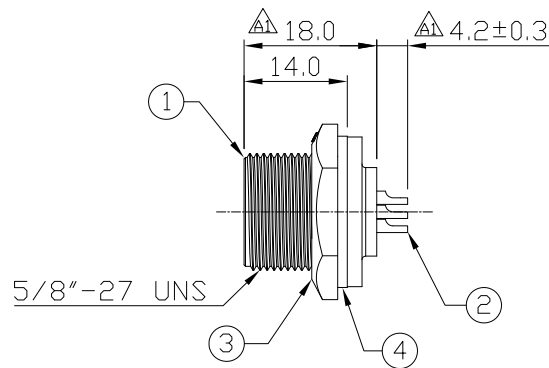
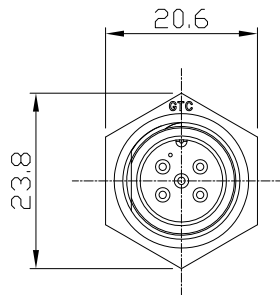
3

4

Notes: (Unless Otherwise Specified)

- 1. Waterproof Rate : IP67.
- 2. Recommend Panel Thickness : 0.8 to 4.0 mm.
- 3. Recommend Torque: 9~10 Kgf-cm.
- 4. Mating Cap P/N :GT1C5231X2.
- 5. RoHS Compliant.

REV	ECN#	DESCRIPTION OF REVISION	DRAW BY DATE	CHECK BY DATE	APPROVE BY DATE
A1	ECN-180610	Modify Drawing	Lucas 06/22/18	Lucas 06/22/18	Ray 06/22/18



Recommend Panel Cut-Out



5	Glue	Epoxy Color: Black	
4	Gasket	Silicone Color: Black	1
3	Hex Nut	Thermoplastic Color: Black	1
2	Contacts	Copper Alloy Finish: Au Plated	5
1	Housing	Thermoplastic Color: Black	1
Item	Part Name	Material / Finish	Q'ty

TITLE C2 5A 5P Panel Male Solder Screw						DRAWING NUMBER GT152310-02050			REV. A1
---	--	--	--	--	--	----------------------------------	--	--	------------

THIRD ANGLE PROJECTION	SIZE B	SCALE 1:1	DRAW / DATE Lucas 09/10/10	CHECK / DATE Ray 09/10/10	APPROVE / DATE Ray 09/10/10	TOLERANCES X.X ± 0.5 X.XX ± 0.2	ANGLES X.XXX ± 0.05 X.XX ± 1°	UNIT mm	SHEET 1/1
------------------------	-----------	--------------	-------------------------------	------------------------------	--------------------------------	---------------------------------------	-------------------------------------	------------	--------------

GT Contact CO.,LTD

NOTICE OF PROPRIETARY PROPERTY:
THE INFORMATION CONTAINED HEREIN IS THE PROPRIETARY PROPERTY OF GT Contact CO.,LTD THE POSSESSOR AGREES TO THE FOLLOWING:
(i) TO MAINTAIN THIS DOCUMENT IN CONFIDENCE
(ii) NOT TO REPRODUCE OR COPY IT
(iii) NOT TO REVEAL OR PUBLISH IT IN WHOLE OR PART
(iv) ALL RIGHTS RESERVED

1

2

3

4