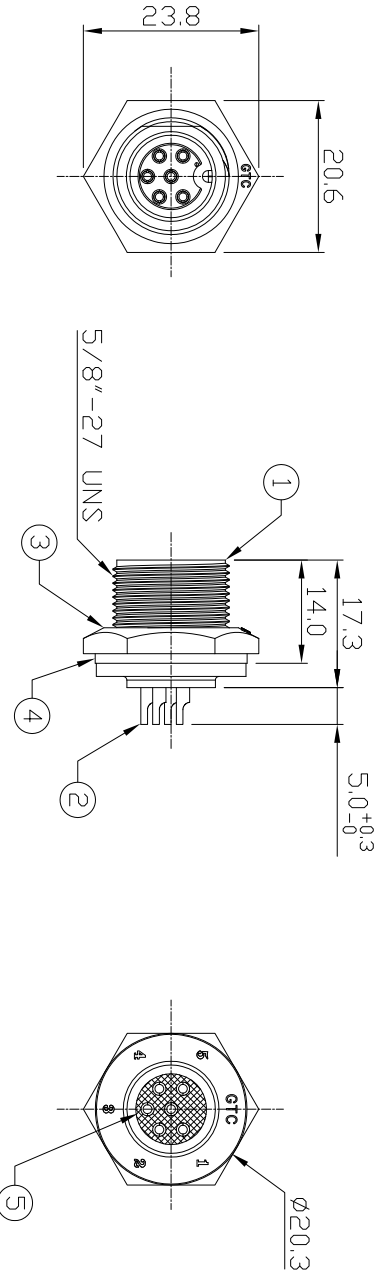


- Notes: (Unless Otherwise Specified)
1. Waterproof Rate : IP67.
 2. Recommend Panel Thickness : 0.8 to 4.0 mm.
 3. Recommend Torque: 9~10 Kgf-cm.
 4. Mating Cap P/N :GT1C5221X2.
 5. RoHS Compliant.

REV	ECN#	DESCRIPTION OF REVISION	DRAW BY DATE	CHECK BY DATE	APPROVE BY DATE
A1		Redraw	Joyce 06/18/12	Lucas 06/18/12	Roy 06/18/12



Item	Part Name	Material / Finish	Qty
1	Housing	Thermoplastic Color: Black	1
2	Contacts	Copper Alloy Finish: Au Plated	6
3	Hex Nut	Thermoplastic Color: Black	1
4	Gasket	Silicone Color: Black	1
5	Glue	Epoxy Color: Black	

TITLE C2 5A 6P Panel Female Solder Screw

DD NOT SCALE DRAWING	THIRD ANGLE PROJECTION	SIZE	SCALE	DRAW / DATE	CHECK / DATE	APPROVE / DATE	DRAWING NUMBER	REV.
		B	1:1	Lucas 02/02/12	Roy 02/02/12	Roy 02/02/12	GT152300-02060	A1
							TOLERANCES	
							XX ± 0.5 ANGLES ± 1°	
							XXX ± 0.2	
							UNIT mm	
							SHEET 1/1	

GTC
DOC.CENTER.ISSUE
JUN.18.2012
ONLY FOR
RELEASE

GT Contact CD,LT D

NOTICE OF PROPRIETARY PROPERTY:
THE INFORMATION CONTAINED HEREIN IS THE PROPRIETARY PROPERTY OF GT CONTACT CO.,LTD THE POSSESSOR AGREES TO MAINTAIN THIS DOCUMENT IN CONFIDENCE AND NOT TO REPRODUCE OR PUBLISH IT IN WHOLE OR PART (W) ALL RIGHTS RESERVED