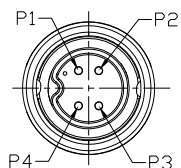


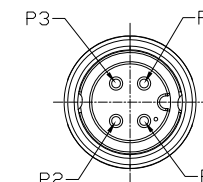
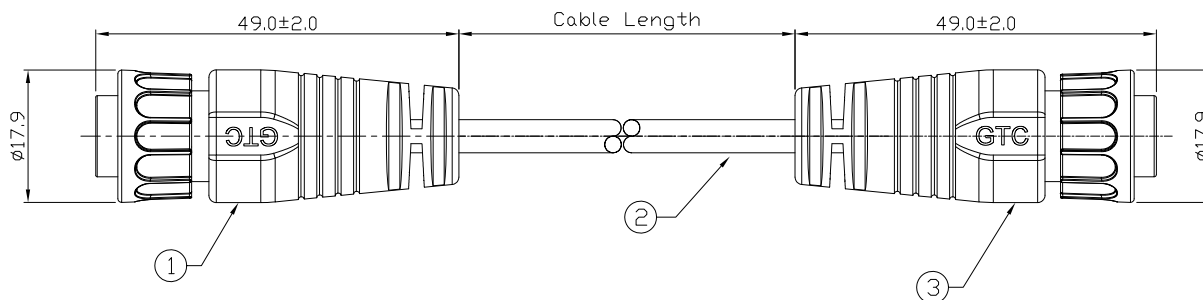
Notes: (Unless Otherwise Specified)

1. Waterproof Rate: IP67.
2. RoHS Compliant.

REV	ECN#	DESCRIPTION OF REVISION	DRAW BY DATE	CHECK BY DATE	APPROVE BY DATE
01			Whitney 02/14/20	Lucas 02/14/20	Ray 02/14/20

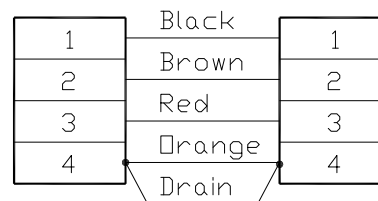


Conn.1



Conn.2

GTC
DOC.CENTER.ISSUE
FEB.17.2020
ONLY FOR
RELEASE



Conn.1 Conn.2

Wiring Diagram

GT1522B4-22041-15	15000 mm	+750
GT1522B4-22041-10	10000 mm	+500
GT1522B4-22041-09	9000 mm	+450
GT1522B4-22041-08	8000 mm	+400
GT1522B4-22041-07	7000 mm	+150
GT1522B4-22041-06	6000 mm	+150
GT1522B4-22041-05	5000 mm	+150
GT1522B4-22041-04	4000 mm	+150
GT1522B4-22041-03	3000 mm	+100
GT1522B4-22041-02	2000 mm	+100
GT1522B4-22041-01	1000 mm	+50
GT1522B4-22041-29	900 mm	+50
GT1522B4-22041-28	800 mm	+50
GT1522B4-22041-27	700 mm	+50
GT1522B4-22041-26	600 mm	+50
GT1522B4-22041-25	500 mm	+50
GT1522B4-22041-24	400 mm	+50
GT1522B4-22041-23	300 mm	+25
GT1522B4-22041-22	200 mm	+25
Part No.	Cable Length	Tol.

3	C2 5A 4P Cable End Female Lock	GT Contact P/N: GT152224-22041-XX	1
2	Cable	UL2464 24AWG*4C+Al/My+D Color: Black, OD=4.5mm	1
1	C2 5A 4P Cable End Male Lock	GT Contact P/N: GT152234-22041-XX	1
Item	Part Name	Material / Finish	Q'ty

TITLE						DRAWING NUMBER			REV.	
C2 5A 4P Cable End Twin-head Female / Male Lock With Cable						GT1522B4-22041-XX			01	
	B	1:1	Whitney 02/14/20	Lucas 02/14/20	Ray 02/14/20	X.X ± 0.5 X.XX ± 0.2	X.XXX ± 0.05 ANGLES ± 1°	mm	1/1	
THIRD ANGLE PROJECTION	SIZE	SCALE	DRAW / DATE	CHECK / DATE	APPROVE / DATE	TOLERANCES		UNIT	SHEET	

GT Contact CO.,LTD

NOTICE OF PROPRIETARY PROPERTY:

THE INFORMATION CONTAINED HEREIN IS THE PROPRIETARY PROPERTY OF GT Contact CO.,LTD THE POSSESSOR AGREES TO THE FOLLOWING:

(a) TO MAINTAIN THIS DOCUMENT IN CONFIDENCE
(b) NOT TO REPRODUCE OR COPY IT
(c) NOT TO REVEAL OR PUBLISH IT IN WHOLE OR PART
(d) ALL RIGHTS RESERVED