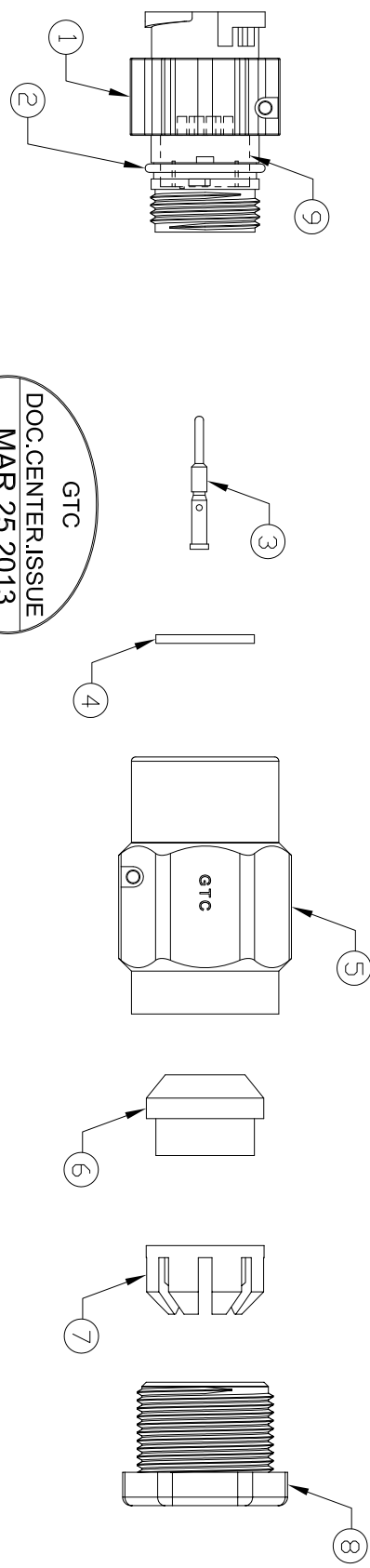
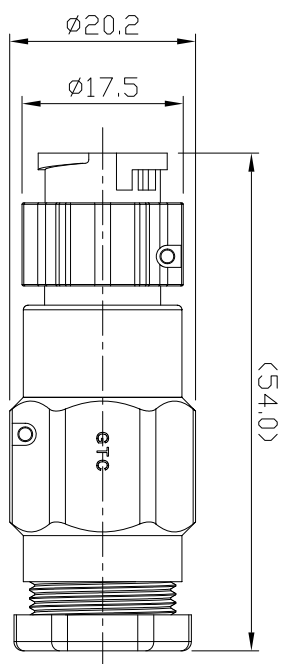
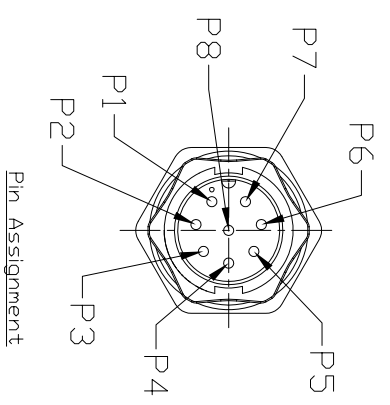


- Notes: (Unless Otherwise Specified)
1. Waterproof Rate: IP67.
 2. Suitable Cable OD=5.0mm To 6.0mm.
 3. Recommend Housing Torque: 6~7 Kgf-cm.
 4. Recommend Gland Nut Torque: 9~10 Kgf-cm.
 5. RoHS Compliant.

REV	ECN#	DESCRIPTION OF REVISION	DRAW BY DATE	CHECK BY DATE	APPROVE BY DATE
A0	ECN-130316	Mass Production	Lucas 03/22/13	Roy 03/22/13	Roy 03/22/13



GTC
 DOC.CENTER.ISSUE
 MAR.25.2013
 ONLY FOR
 RELEASE



Item	Part Name	Material / Finish	Qty
9	Base	Thermoplastic Color: Black	1
8	Gland Nut	Thermoplastic Color: Black	1
7	Cage	Thermoplastic Color: White	1
6	Gland	Silicone Color: Green Thermoplastic Color: Black	1
5	Cover	Silicone Color: Black	1
4	Gasket	Silicone Color: Black	1
3	Contacts	Copper Alloy Finish: Au Plated	8
2	D-Ring	Silicone Color: Red	1
1	Housing	Thermoplastic Color: Black	1

TITLE C2 5A 8P Field Installable Cable To Cable Male Crimp Lock

DRAWING NUMBER GT152294-22080 REV. A0

THIRD ANGLE PROJECTION	SIZE	SCALE	DRAW / DATE	CHECK / DATE	APPROVE / DATE	TOLERANCES	UNIT	SHEET
1	B	N/A	Edwin 01/11/10	Roy 01/11/10	Roy 01/11/10	XX ± 0.5 XXX ± 0.2	mm	1/1

GT Contact CO.,LTD

NOTICE OF PROPRIETARY PROPERTY:
 THE INFORMATION CONTAINED HEREIN IS THE PROPRIETARY PROPERTY OF GT Contact CO.,LTD THE POSSESSOR AGREES TO THE FOLLOWING:
 (1) TO MAINTAIN THIS DOCUMENT IN CONFIDENCE
 (2) NOT TO REPRODUCE OR PUBLISH IT IN WHOLE OR PART
 (3) ALL RIGHTS RESERVED