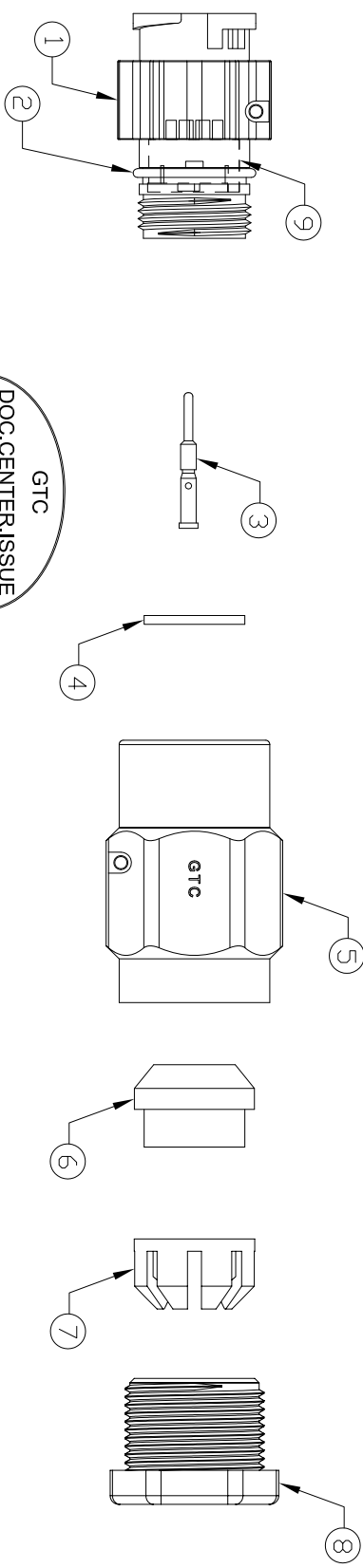
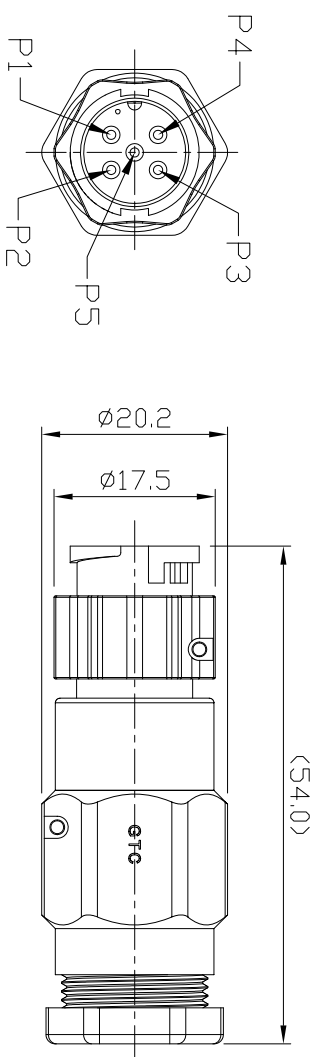


- Notes: (Unless Otherwise Specified)
1. Waterproof Rate: IP67.
  2. Suitable Cable OD=5.0mm To 6.0mm.
  3. Recommend Housing Torque: 6~7 Kgf-cm.
  4. Recommend Gland Nut Torque: 9~10 Kgf-cm.
  5. RoHS Compliant.

REV	ECN#	DESCRIPTION OF REVISION	DRAW BY DATE	CHECK BY DATE	APPROVE BY DATE
A0		Mass Production	Hank 06/16/14	Roy 06/16/14	Roy 06/16/14



GTC  
DOC.CENTER.ISSUE  
JUL.10.2014  
ONLY FOR  
RELEASE



Item	Part Name	Material / Finish	Qty
9	Base	Thermoplastic Color: Black	1
8	Gland Nut	Thermoplastic Color: Black	1
7	Cage	Thermoplastic Color: White	1
6	Gland	Silicone Color: Green	1
5	Cover	Thermoplastic Color: Black	1
4	Gasket	Silicone Color: Black	1
3	Contacts	Copper Alloy Finish: Au Plated	5
2	D-Ring	Silicone Color: Red	1
1	Housing	Thermoplastic Color: Black	1

C2 5A SP Field Installable Cable To Cable Male Crimp Lock

TITLE	DRAWING NUMBER	REV.
C2 5A SP Field Installable Cable To Cable Male Crimp Lock	GT152294-22050	A0

**GT Contact CO.,LTD**

NOTICE OF PROPRIETARY PROPERTY

THE INFORMATION CONTAINED HEREIN IS THE PROPRIETARY PROPERTY OF GT Contact CO.,LTD THE POSSESSOR AGREES TO THE FOLLOWING

① TO MAINTAIN THIS DOCUMENT IN CONFIDENCE

② NOT TO REPRODUCE OR PUBLISH IT IN WHOLE OR PART

③ ALL RIGHTS RESERVED

DD NOT SCALE DRAWINGS	THIRD ANGLE PROJECTION	SIZE	SCALE	DRAW / DATE	CHECK / DATE	APPROVE / DATE	TOLERANCES	UNIT	SHEET
		B	N/A	Hank 06/16/14	Roy 06/16/14	Roy 06/16/14	± 0.5 ± 0.2	mm	1/1