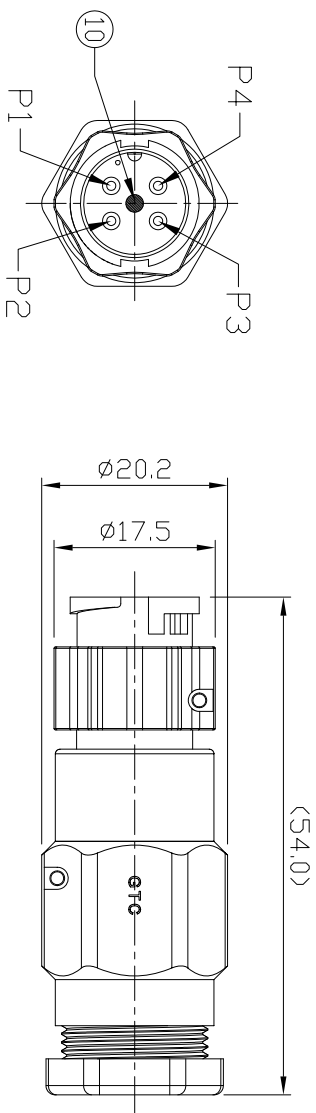
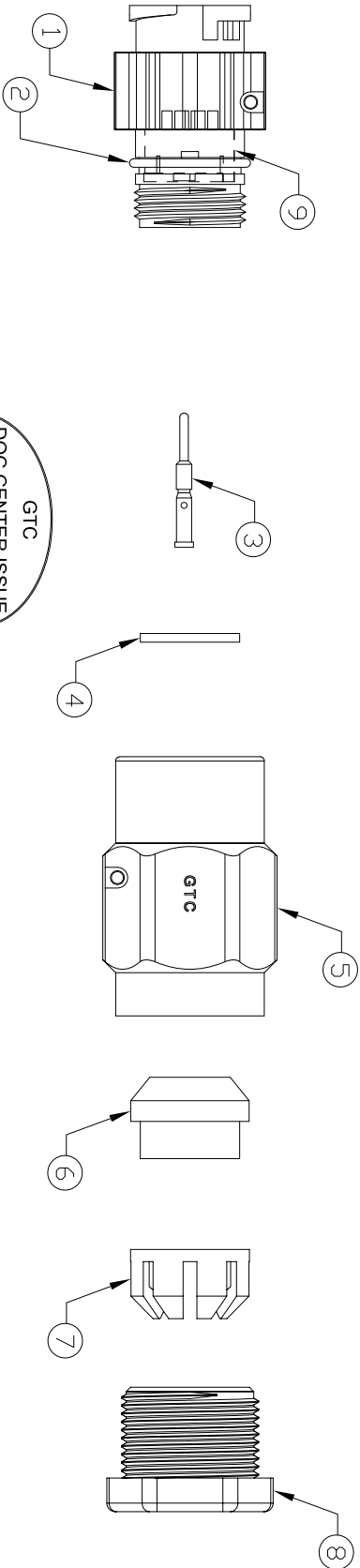


- Notes: (Unless Otherwise Specified)
1. Waterproof Rate: IP67.
  2. Suitable Cable OD=5.0mm To 6.0mm.
  3. Recommend Housing Torque: 6~7 Kgf-cm.
  4. Recommend Gland Nut Torque: 9~10 Kgf-cm.
  5. RoHS Compliant.

REV	ECN#	DESCRIPTION OF REVISION	DRAW BY DATE	CHECK BY DATE	APPROVE BY DATE
A0		Mass Production	Hank 06/16/14	Roy 06/16/14	Roy 06/16/14



Item	Part Name	Material / Finish	Qty
10	Gland Pin	Thermoplastic Color: Black	1
9	Base	Thermoplastic Color: Black	1
8	Gland Nut	Thermoplastic Color: Black	1
7	Cage	Thermoplastic Color: White	1
6	Gland	Silicone Color: Green	1
5	Cover	Thermoplastic Color: Black	1
4	Gasket	Silicone Color: Black	1
3	Contacts	Copper Alloy Finish: Au Plated	4
2	D-Ring	Silicone Color: Red	1
1	Housing	Thermoplastic Color: Black	1

Pin Assignment

C2 5A 4P Field Installable Cable To Cable Male Crimp Lock

DRAWING NUMBER  
GT152294-22040

REV.  
A0

GT Contact CO.,LTD

DD NOT SCALE DRAWINGS

THIRD ANGLE PROJECTION	SIZE	SCALE	DRAW / DATE	CHECK / DATE	APPROVE / DATE	TOLERANCES	UNIT	SHEET
1	B	N/A	Hank 06/16/14	Roy 06/16/14	Roy 06/16/14	XX ± 0.5 XXX ± 0.2	mm	1/1

NOTICE OF PROPRIETARY PROPERTY:  
THE INFORMATION CONTAINED HEREIN IS THE PROPRIETARY PROPERTY OF GT Contact CO.,LTD THE POSSESSOR AGREES TO MAINTAIN THIS DOCUMENT IN CONFIDENCE AND NOT TO REPRODUCE, PUBLISH IT IN WHOLE OR PART (S) ALL RIGHTS RESERVED