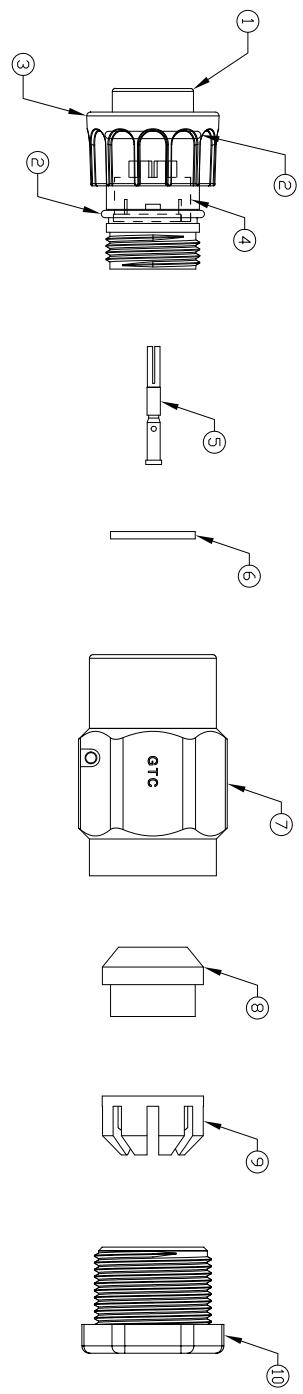
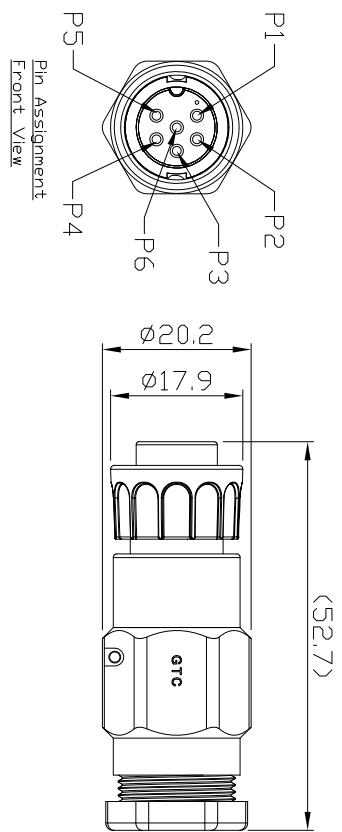


- Notes: (Unless Otherwise Specified)
1. Waterproof Rate: IP67.
  2. Recommend Cover Torque: 6~7 Kgf-cm.
  3. Recommend Gland Nut Torque: 9~10 Kgf-cm.
  4. Cable Diameter: 5.0mm To 6.0mm.
  5. RoHS Compliant.



10	Gland Nut	Thermoplastic Color: Black	1
9	Cage	Thermoplastic Color: White	1
8	Gland	Silicone Color: Green	1
7	Cover	Thermoplastic Color: Black	1
6	Gasket	Silicone Color: Black	1
5	Contacts	Copper Alloy Finish: Au Plated	6
4	6P Base	Thermoplastic Color: Black	1
3	Lock Nut	Thermoplastic Color: Black	1
2	O-ring	Silicone Color: Red	2
1	Housing	Thermoplastic Color: Black	1
Item	Part Name	Material / Finish	Qty



GTC  
DOC.CENTER.ISSUE  
JUL.24.2012  
ONLY FOR  
RELEASE

REV	ECN#	DESCRIPTION OF REVISION	DRAW BY DATE	CHECK BY DATE	APPROVE BY DATE
A0			Joyce 07/24/12	Lucas 07/24/12	Roy 07/24/12

C2 5A 6P Field Installable Cable End Female Crimp Lock

DRAWING NUMBER  
GT152264-22060

REV.  
A0

DD NOT SCALE DRAWINGS	B	1:1	Karen 03/06/09	Robbie 03/06/09	Robbie 03/17/09	XX XXX	± 0.5 ± 0.2	XXXX ANGLES	± 0.05 ± 1°	mm	1/1
THIRD ANGLE PROJECTION	SIZE	SCALE	DRAW / DATE	CHECK / DATE	APPROVE / DATE	TOLERANCES	UNIT	SHEET			

GT Contact CD, LTD

NOTICE OF PROPRIETARY PROPERTY:  
THE INFORMATION CONTAINED HEREIN IS THE PROPRIETARY PROPERTY OF GT Contact CD, LTD. THE POSSESSOR AGREES TO THE FOLLOWING:  
a) TO MAINTAIN THIS DOCUMENT IN CONFIDENCE  
b) NOT TO REPRODUCE OR DISSEMINATE IT IN WHOLE OR PART  
c) ALL RIGHTS RESERVED