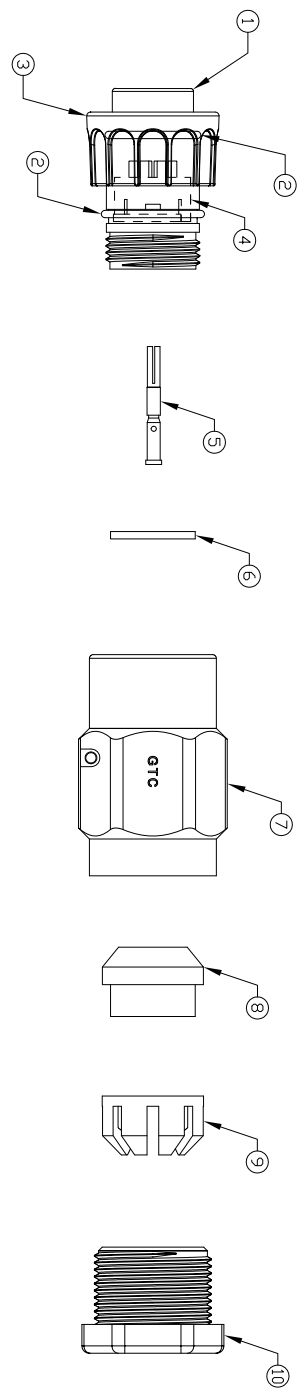


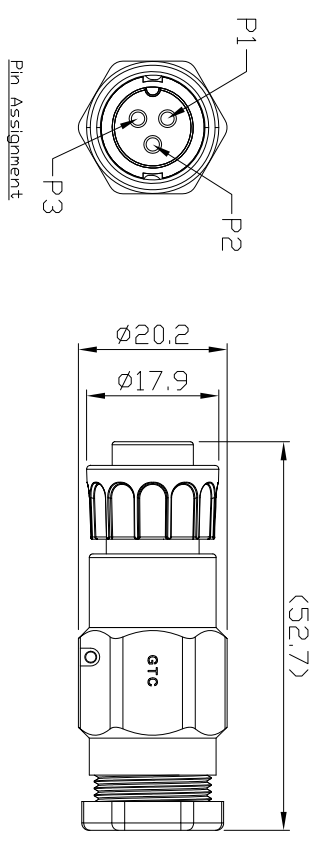
- Notes: (Unless Otherwise Specified)
1. Waterproof Rate: IP67.
 2. Recommend Cover Torque: 6~7 Kgf-cm.
 3. Recommend Gland Nut Torque: 9~10 Kgf-cm.
 4. Cable Diameter: 5.0mm To 6.0mm.
 5. ROHS Compliant.

REV	ECN#	DESCRIPTION OF REVISION	DRAW BY DATE	CHECK BY DATE	APPROVE BY DATE
A0	ECN-130406	Mass Production	Joyce 04/10/13	Lucas 04/10/13	Roy 04/10/13

GTC
DOC.CENTER.ISSUE
APR.10.2013
ONLY FOR
RELEASE



Item	Part Name	Material / Finish	Qty
10	Gland Nut	Thermoplastic Color: Black	1
9	Gland Cage	Thermoplastic Color: White	1
8	Gland	Silicone Color: Green	1
7	Cover	Thermoplastic Color: Black	1
6	Gasket	Silicone Color: Black	1
5	Contacts	Copper Alloy Finish: Au Plated	3
4	Base	Thermoplastic Color: Black	1
3	Lock Nut	Thermoplastic Color: Black	1
2	O-Ring	Silicone Color: Red	2
1	Housing	Thermoplastic Color: Black	1



C2 5A 3P Field Installable Cable End Female Crimp Lock

TITLE	DRAWING NUMBER	REV.
C2 5A 3P Field Installable Cable End Female Crimp Lock	GT152264-22030	A0

DD NOT SCALE DRAWINGS	B	1:1	Joyce 04/10/13	Lucas 04/10/13	Roy 04/10/13	XXX ± 0.5 ANGLES ± 1°	mm	1/1
THIRD ANGLE PROJECTION	SIZE	SCALE	DRAW / DATE	CHECK / DATE	APPROVE / DATE	TOLERANCES	UNIT	SHEET

GT Contact CD, LTD
NOTICE OF PROPRIETARY PROPERTY:
THE INFORMATION CONTAINED HEREIN IS THE PROPRIETARY PROPERTY OF GT Contact CD, LTD. THE POSSESSOR AGREES TO MAINTAIN THIS DOCUMENT IN CONFIDENCE AND NOT TO REVEAL OR DISCLOSE IT IN WHOLE OR PART (S) ALL RIGHTS RESERVED