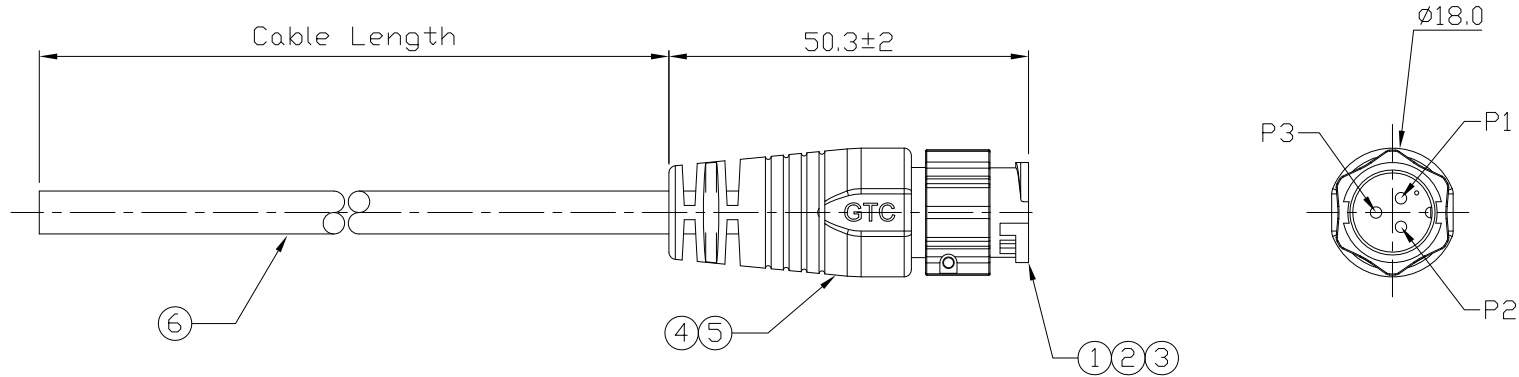


Notes: (Unless Otherwise Specified)

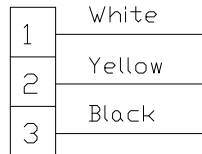
1. Waterproof Rate: IP67.
2. RoHS Compliance.

REV	ECN#	DESCRIPTION OF REVISION	DRAW BY DATE	CHECK BY DATE	APPROVE BY DATE
01			Lucas 08/05/11	Ray 08/05/11	Ray 08/05/11



GTC
DOC.CENTER.ISSUE
FEB.07.2017
ONLY FOR
RELEASE

Item	Part Name	Material/Finish	Q'ty
6	Cable	UL2464 16AWG*3C, OD=6.1mm Color: Black	1
5	Over Mold	PVC Color: Black	1
4	Inner Mold	Thermal Plastic Color: White Or Black	1
3	Base	Thermal Plastic Color: Black	1
2	Contacts	Copper Alloy Finish: Au Plated	3
1	Housing	Thermal Plastic Color: Black	1



Wiring Diagram

GT152254-23031-10	10000 mm	±500
GT152254-23031-09	9000 mm	±450
GT152254-23031-08	8000 mm	±400
GT152254-23031-07	7000 mm	±350
GT152254-23031-06	6000 mm	±300
GT152254-23031-05	5000 mm	±250
GT152254-23031-04	4000 mm	±200
GT152254-23031-03	3000 mm	±150
GT152254-23031-02	2000 mm	±100
GT152254-23031-01	1000 mm	±50
GT152254-23031-Z5	500 mm	±40
GT152254-23031-Z2	200 mm	±20

Part No.	Cable Length	Tol.
----------	--------------	------

GT Contact CO.,LTD

NOTICE OF PROPRIETARY PROPERTY:
THE INFORMATION CONTAINED HEREIN IS THE PROPRIETARY PROPERTY OF GT Contact CO.,LTD THE POSSESSOR AGREES TO THE FOLLOWING:
(i) TO MAINTAIN THIS DOCUMENT IN CONFIDENCE
(ii) NOT TO REPRODUCE OR COPY IT
(iii) NOT TO REVEAL OR PUBLISH IT IN WHOLE OR PART
(iv) ALL RIGHTS RESERVED

TITLE						DRAWING NUMBER			REV.	
C2 10A 3P Cable To Cable Male Lock						GT152254-23031-XX			01	
	B	1:1	Lucas 08/05/11	Ray 08/05/11	Ray 08/05/11	XX ± 0.5 X.XX ± 0.2	X.XXX ± 0.05 ANGLES ± 1°	mm	1/1	
THIRD ANGLE PROJECTION	SIZE	SCALE	DRAW / DATE	CHECK / DATE	APPROVE / DATE	TOLERANCES		UNIT	SHEET	